



PDV Series 100V MP3 4 Zone Amplifier

Ref. nr.: 952.068, 952.071, 952.073



INSTRUCTION MANUAL
GEBRUIKSAANWIJZING
BEDIENUNGSANLEITUNG
MANUAL DE INSTRUCCIONES
MANUEL D'INSTRUCTIONS
INSTRUKCJA OBSŁUGI

ENGLISH

Congratulations to the purchase of this Power Dynamics product. Please read this manual thoroughly prior to using the unit in order to benefit fully from all features.

Read the manual prior to using the unit. Follow the instructions in order not to invalidate the warranty. Take all precautions to avoid fire and/or electrical shock. Repairs must only be carried out by a qualified technician in order to avoid electrical shock. Keep the manual for future reference.

- Prior to using the unit, please ask advice from a specialist. When the unit is switched on for the first time, some smell may occur. This is normal and will disappear after a while.
- The unit contains voltage carrying parts. Therefore do NOT open the housing.
- Do not place metal objects or pour liquids into the unit. This may cause electrical shock and malfunction.
- Do not place the unit near heat sources such as radiators, etc. Do not place the unit on a vibrating surface. Do not cover the ventilation holes.
- The unit is not suitable for continuous use.
- Be careful with the mains lead and do not damage it. A faulty or damaged mains lead can cause electrical shock and malfunction.
- When unplugging the unit from a mains outlet, always pull the plug, never the lead.
- Do not plug or unplug the unit with wet hands.
- If the plug and/or the mains lead are damaged, they need to be replaced by a qualified technician.
- If the unit is damaged to such an extent that internal parts are visible, do NOT plug the unit into a mains outlet and DO NOT switch the unit on. Contact your dealer.
- To avoid fire and shock hazard, do not expose the unit to rain and moisture.
- All repairs should be carried out by a qualified technician only.
- Connect the unit to an earthed mains outlet (220-240Vac/50Hz) protected by a 10-16A fuse.
- During a thunderstorm or if the unit will not be used for a longer period of time, unplug it from the mains. The rule is: Unplug it from the mains when not in use.
- If the unit has not been used for a longer period of time, condensation may occur. Let the unit reach room temperature before you switch it on. Never use the unit in humid rooms or outdoors.
- To prevent accidents in companies, you must follow the applicable guide lines and follow the instructions.
- Do not repeatedly switch the fixture on and off. This shortens the life time.
- Keep the unit out of the reach of children. Do not leave the unit unattended.
- Do not use cleaning sprays to clean switches. The residues of these sprays cause deposits of dust and grease. In case of malfunction, always seek advice from a specialist.
- Do not force the controls.
- If the unit has fallen, always have it checked by a qualified technician before you switch the unit on again.
- Do not use chemicals to clean the unit. They damage the varnish. Only clean the unit with a dry cloth.
- Keep away from electronic equipment that may cause interference.
- Only use original spares for repairs, otherwise serious damage and/or dangerous radiation may occur.
- Switch the unit off prior to unplugging it from the mains and/or other equipment. Unplug all leads and cables prior to moving the unit.
- Make sure that the mains lead cannot be damaged when people walk on it. Check the mains lead before every use for damages and faults!
- The mains voltage is 220-240Vac/50Hz. Check if power outlet match. If you travel, make sure that the mains voltage of the country is suitable for this unit.
- Keep the original packing material so that you can transport the unit in safe conditions.



This mark attracts the attention of the user to high voltages that are present inside the housing and that are of sufficient magnitude to cause a shock hazard.



This mark attracts the attention of the user to important instructions that are contained in the manual and that he should read and adhere to.

The unit has been certified CE. It is prohibited to make any changes to the unit. They would invalidate the CE certificate and their guarantee!

NOTE: To make sure that the unit will function normally, it must be used in rooms with a temperature between 5°C/41°F and 35°C/95°F.



Electric products must not be put into household waste. Please bring them to a recycling centre. Ask your local authorities or your dealer about the way to proceed. The specifications are typical. The actual values can slightly change from one unit to the other. Specifications can be changed without prior notice.

Do not attempt to make any repairs yourself. This would invalid your warranty. Do not make any changes to the unit. This would also invalid your warranty. The warranty is not applicable in case of accidents or damages caused by inappropriate use or disrespect of the warnings contained in this manual. Power Dynamics cannot be held responsible for personal injuries caused by a disrespect of the safety recommendations and warnings. This is also applicable to all damages in whatever form.

UNPACKING INSTRUCTION

CAUTION! Immediately upon receiving the product, carefully unpack the carton, check the contents to ensure that all parts are present, and have been received in good condition. Notify the shipper immediately and retain packing material for inspection if any parts appear damage from shipping or the package itself shows signs of mishandling. Save the package and all packing materials. In the event that the product must be returned to the factory, it is important that the product be returned in the original factory box and packing.

If the device has been exposed to drastic temperature fluctuation (e.g. after transportation), do not switch it on immediately. The arising condensation water might damage your device. Leave the device switched off until it has reached room temperature.

POWERSUPPLY

On the label on the backside of the product is indicated on this type of power supply must be connected. Check that the mains voltage corresponds to this, all other voltages than specified, the light effect can be irreparably damaged. The product must also be directly connected to the mains and may be used. No dimmer or adjustable power supply.



Always connect the device to a protected circuit (circuit breaker or fuse). Make sure the device has an appropriate electrical ground to avoid the risk of electrocution or fire.

100V LINE SYSTEM

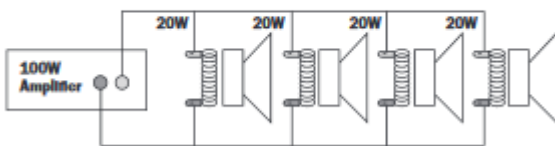
For 100V line systems, connect the amplifier to the first speaker in the system using double-insulated speaker wire which has adequate current rating to handle the total output of the amplifier.

Connect the “100V” output terminal to the positive (+) connection of the speaker and “COM” output to the negative (-) connection of the speaker. Connect further speakers in parallel to the first speaker with all positive terminals and connected together and all negative terminals connected together as shown below.

Examples

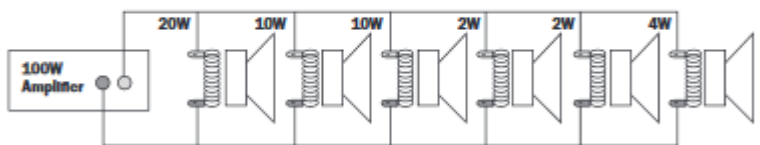
Standard 100V line

4 x 20W - 80W load



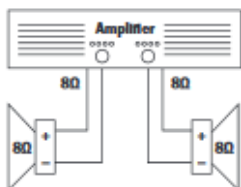
Multi-tap 100V line

20 + 10 + 10 + 2 + 2 + 4 = 48W load

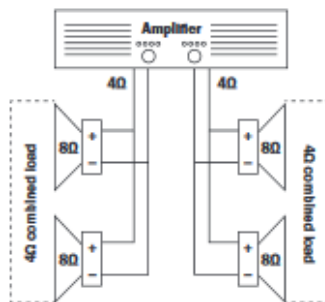


8Ω examples:

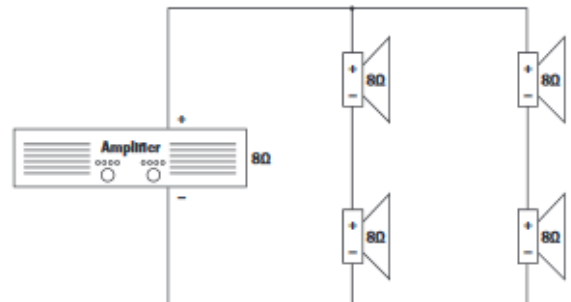
Standard 2 loudspeaker setup



Parallel 4 loudspeaker setup



Series parallel 4 loudspeaker mono setup



A 100V line speaker system can comprise of many speakers connected together. The determining factor for how many speakers can be used on a single amplifier is the power rating. For most purposes, it is advised to connect as many speakers as needed with a combined wattage of no more than 90% of the amplifier’s output power rating.

The terminals of a 100V speaker are connected to a transformer and in some cases, this transformer may be “tapped” for different power ratings. These tapings can be used to adjust the wattage (and output volume) of each speaker in the system to help achieve the ideal total power of the system for the amplifier.

SPEAKER TERMINALS

These terminals are offering a low voltage output of 8Ω. A 100V commercial output is also available.

Please note that one wire only should be connected to COM screw and one wire to the selected impedance or voltage.

ATTENTION: Multiple combinations cannot be done at the output level.

Two different types of connections are provided. The low impedance section: 8Ω is designed for a small amount of speakers to be connected to your amplifier. The 100V section is especially designed for a multiple speaker distribution. When using the 100V output, speakers have to be equipped with a 100V transformer. The maximum amount of speakers to be placed on your distribution line is in relation to the power allocated to each speaker. The total wattage set on the secondary side of the transformers on your speaker line must not exceed the maximum RMS output power of the device. Failure to respect this may cause permanent damage to the amplifier.

OPERATION STEPS

- When all connections to the amplifier are made, turn all rotary controls down and switch on the power and the power button LED will illuminate. Turn BASS and TREBLE controls to the 12 o'clock position (pointing straight up) and turn MASTER rotary control up part way for testing.
- Ensure a signal is being fed to one of the line inputs and gradually increase the volume control for that channel until the output is heard through the speakers. Turn up the MASTER to the maximum required volume level and reduce the channel volume control if necessary.
- Note: The initial test can be made using the built-in USB/SD audio player. The output of the amplifier is represented on the level meter LEDs and care should be taken that the Red "0" LED is only lit momentarily during use. Anything longer than a short flash of this LED may be indicating distortion or clipping of the output signal and the MASTER should be turned down.
- If a microphone is connected to MIC1 input, make sure it is switched on and if it requires phantom power, make sure this feature is enabled. Gradually increase its volume control whilst speaking into the microphone until the required volume level is reached. The microphone should not be able to "hear" the speakers, which can cause feedback (squealing or howling noise).

In addition to channel and MASTER volume controls, there are BASS and TREBLE EQ controls to adjust the tone of the overall output. At the 12 o'clock position, these controls are applying no effect to the signal (no boost or cut). Moving the BASS control clockwise boosts the low frequencies in the audio, whilst moving it anticlockwise will cut these low frequencies. Likewise, moving the TREBLE control clockwise boosts the high frequencies in the audio, whilst moving it anticlockwise will cut these high frequencies. Adjust these EQ controls to suit the type of audio signal or compensate for the room acoustics.

REPLACING THE FUSES

If a fuse is defective, replace the fuse with a fuse of the same type and value. Before replacing the fuse, unplug mains lead.

Procedure:



Step 1: Open the fuse holder on the rear panel with a fitting screwdriver.

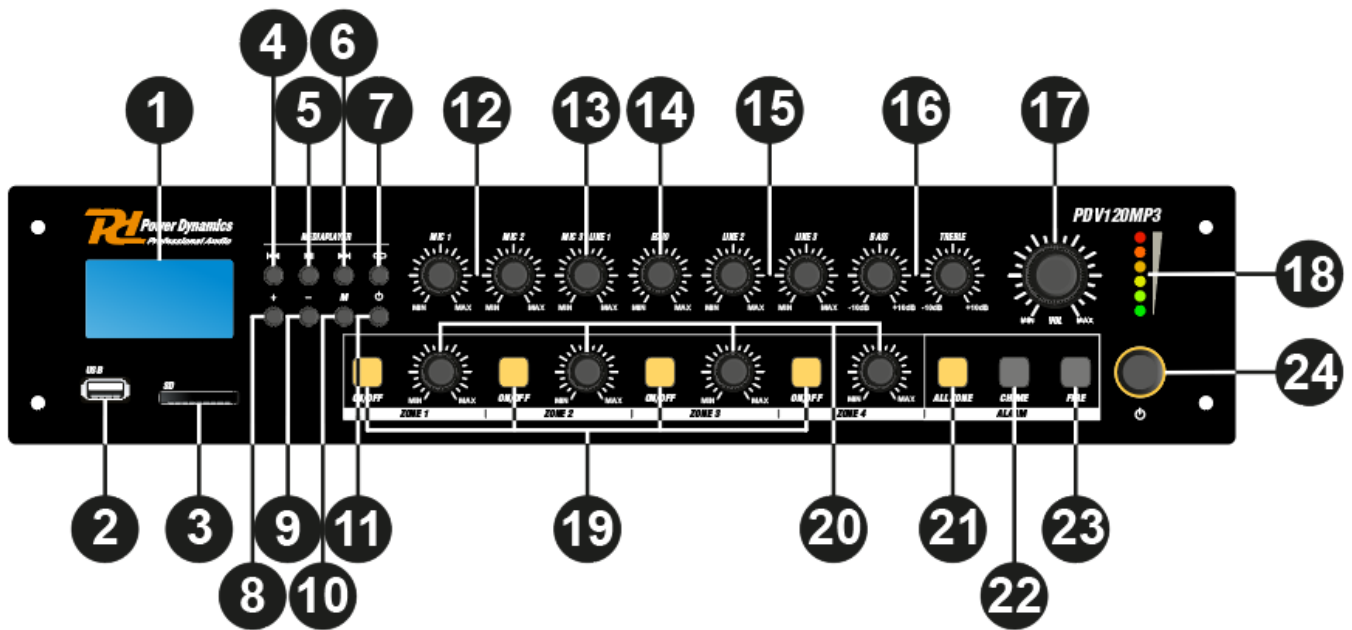
Step 2: Remove the old fuse from the fuse holder.

Step 3: Install the new fuse in the fuse holder.

Step 4: Replace the fuse holder in the housing.

CONTROLS AND CONNECTIONS

Front Panel Overview:



- 1. LCD DISPLAY**
Displays modes and the current operating status.
- 2. USB PORT**
An USB storage device can be inserted here. Tracks stored on the storage device can be played through the player and will automatically start playing when the device is inserted.
- 3. SD / MMC MEMORY CARD SLOT**
SD/MMC memory cards can be inserted in this slot. Tracks stored on the storage device can be played through the player and will automatically start playing when the device is inserted.
- 4. SKIP I<< BUTTON**
Previous track when in USB-, SD/MMC- or BT modes. Previous stored station when in tuner mode.
- 5. PLAY / PAUSE BUTTON**
Each time you press the PLAY/PAUSE button, the operation changes from play to pause or from pause to play.
- 6. SKIP >>I BUTTON**
Next track when in USB-, SD/MMC- and BT modes. Next stored station when in tuner mode.
- 7. REPEAT BUTTON**
Switch the repeat function between repeat one track, repeat complete folder, repeat all and repeat off.
- 8. + BUTTON**
Increase the player volume.
- 9. - BUTTON**
Decrease the player volume.
- 10. M BUTTON**
Switch the operation mode between USB, SD/MMC, BT and tuner.
- 11. ON / OFF POWER BUTTON**
Press: Turn on the player.
Press and hold: Turn off the player.
- 12. MICROPHONE 1 & 2 VOLUME CONTROL**
Increase or decrease the volume of microphone 1 and 2 input.
- 13. MICROPHONE 3 & LINE 1 VOLUME CONTROL**
Increase or decrease the volume of microphone 3 or line 1 input.
- 14. MICROPHONE ECHO CONTROL**
Adjust the echo level on microphone channels.
- 15. LINE 2 & 3 VOLUME CONTROL**
Increase or decrease the volume of line 2 & 3 input.

16. TONE CONTROL

Using the bass and treble knobs, the overall system frequency response can be adjusted. While rotating clockwise, the level will be increased. Counter-clockwise turning will result in a level decrease. In center position, both are set to neutral level.

17. MASTER VOLUME CONTROL

Using the master volume control, the overall system volume will be adjusted in a range between minimum and maximum level.

18. LED INDICATORS (VU-METER)

The current system operation is indicated on the 6 digit LED bar graph. The LED's monitor the current output level within a range of -18 dB and 0 dB, while the upper LED (red) illuminates when the output is clipping.

19. ZONE 1-4 OUTPUT SWITCHES

The different connected loudspeaker lines (1-4) can be switched on and off by pressing the switches with the corresponding numbers. When a zone (1-4) is enabled, an orange light on the corresponding switch will show. When the 'All' switch is pressed, all zone (1-4) outputs will be enabled.

20. ZONE 1-4 OUTPUT LEVEL CONTROL

The output level of different zones (1-4) can be adjusted by the band switches with the corresponding numbers.

21. ALL ZONE SWITCHES

When the 'All' switch is pressed, all zone (1-4) outputs will be enabled.

22. CHIME SWITCH

When the chime button is pressed, the selected chime tone as pre-announcement for paging will be played once.

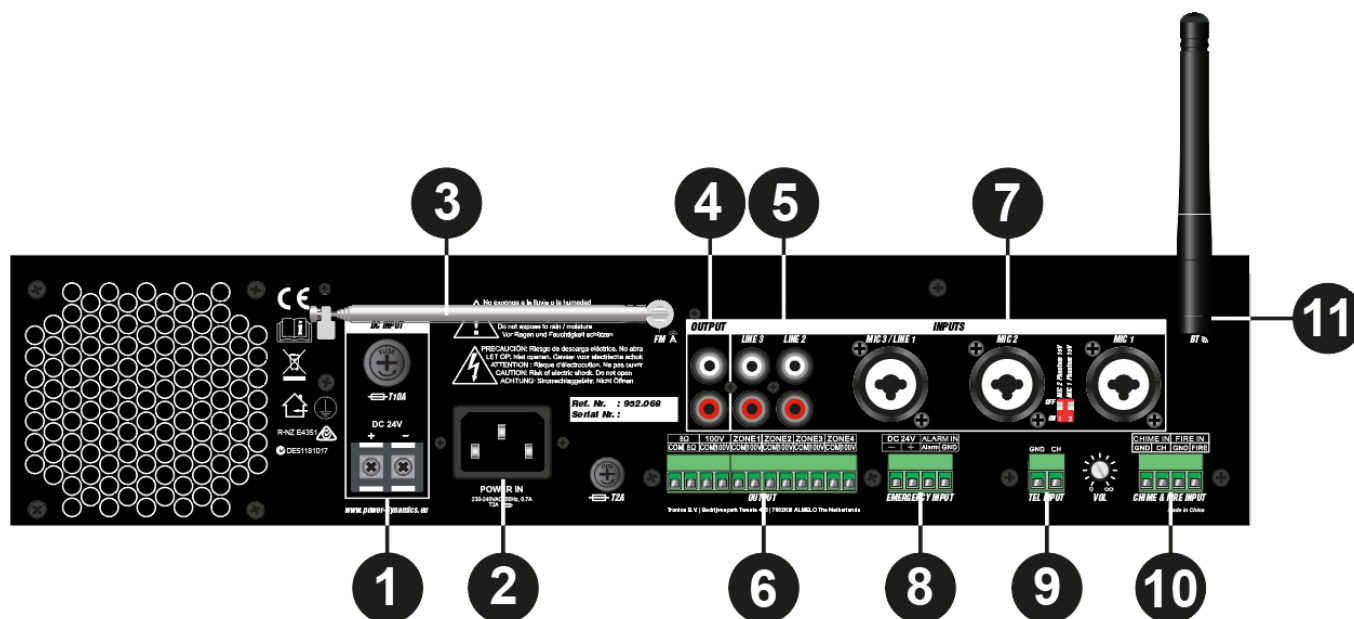
23. FIRE SWITCH

When the fire button is pressed, the fire alarm goes through the loop until the fire button is pressed again.

24. ON / OFF POWER SWITCH

Use this switch to turn the unit on. Use the switch again to turn off the device. By switching on the device, the orange light around the power button will illuminate. After powering on, the buzzer inside will ring three times and then the output protection relay will be switched on (a click will be heard when this occurs), meaning the amplifier is ready.

Rear Panel Overview:



1. DC POWER INLET

The main DC power supply (24V) has to be applied to this connector. This is a standby power inlet to connect a 24V battery. A fuse holder with the main fuse is located on the top of the DC power inlet (for fuse replacement instructions, please see 'Replacing the fuses').

2. AC POWER INLET

The main AC power supply (230~240V AC / 50~60 Hz) has to be applied to this AC power inlet. A fuse holder with the main fuse is located on the right of the AC power inlet (for fuse replacement instructions, please see 'Replacing the fuses').

3. FM ANTENNA

For using the FM radio function, pull out this antenna to ensure the best possible FM reception.

4. OUTPUT CONNECTIONS (RCA)

These connections can be used when expanding your system by adding a second amplifier. Connect LINE2 or LINE3 input of the second amplifier with this 'OUT' connection to do so.

5. UNBALANCED LINE INPUTS 2 & 3 (RCA)

RCA jack line inputs 2 & 3. Can be turned into a stereo line input by connecting right to red, left to white.

6. OUTPUT CONNECTIONS (TERMINAL BLOCK)

Output connections for both low impedance and constant voltage distributed audiosystems. The low impedance loudspeaker and 100V constant voltage output share a 4-PIN terminal block, left two can be used to connect low impedance speakers, the two on the right can be used to connect high impedance (100V constant voltage) speakers. Zone (1-4) outputs are represented by an 8-pin connector.

7. MIC3 / LINE1, MIC2 & MIC1 INPUTS

These channels use combination connectors, accepting both XLR and 6.3 mm jack plugs. Both inputs forms will mute all other channels when a signal is present on the connected microphones/inputs. Mic input 1 & 2 can be used for capacitive microphones. Phantom power switches enable 15 Volts phantom power when a capacitive microphone is connected. Switch 2 will feed phantom power to Mic input 1, while switch 1 feeds phantom power to Mic input 2.

8. EMERGENCY INPUT

The amplifier can be connected to any 100V constant voltage amplifier output with a DC 24V remote control used as the emergency input. When the DC 24V signals, the amplifier will switch to all connected speakers (constant voltage output) to send out the emergency signal.

9. TEL INPUT

The amplifier can be connected to any telecom system using the TEL input, allowing for announcements to be made from a handset. It is a line level input with priority. Unbalanced input connections should be made to the 'CH' (Hot or Signal) and 'GND' (Ground) terminals.

10. CHIME & FIRE INPUTS

Chime & Fire inputs allow for any external source such as call stations, a signal matrix- or fire alarm system to be connected to. These inputs have priority over other inputs.

11. BT ANTENNA

When connecting to- and using BT, make sure to adjust the BT antenna to a vertical position to ensure the best possible wireless signal.

NEDERLANDS

Hartelijk dank voor de aanschaf van dit Power Dynamics product. Neemt U a.u.b. een paar momenten de tijd om deze handleiding zorgvuldig te lezen, aangezien wij graag willen dat u onze producten snel en volledig gebruikt.

Lees deze handleiding eerst door alvorens het product te gebruiken. Volg de instructies op anders zou de garantie wel eens kunnen vervallen. Neem ook altijd alle veiligheidsmaatregelen om brand en/of een elektrische schok te voorkomen. Tevens is het ook raadzaam om reparaties / modificaties e.d. over te laten aan gekwalificeerd personeel om een elektrische schok te voorkomen. Bewaar deze handleiding ook voor toekomstig gebruik.

- Bewaar de verpakking zodat u indien het apparaat defect is, dit in de originele verpakking kunt opsturen om beschadigingen te voorkomen.
- Voordat het apparaat in werking wordt gesteld, altijd eerst een deskundige raadplegen. Bij het voor de eerste keer inschakelen kan een bepaalde reuk optreden. Dit is normaal en verdwijnt na een poos.
- In het apparaat bevinden zich onder spanning staande onderdelen; open daarom NOOIT dit apparaat.
- Plaats geen metalen objecten en mors geen vloeistof in het effect. Dit kan leiden tot elektrische schokken of defecten.
- Toestel niet opstellen in de buurt van warmtebronnen zoals radiatoren etc. en niet op een vibrerende onder- grond plaatsen. Dek ventilatieopeningen nooit af.
- Het apparaat is niet geschikt voor continu gebruik.
- Wees voorzichtig met het netsnoer en beschadig deze niet. Als het snoer kapot of beschadigd is, kan dit leiden tot elektrische schokken of defecten.
- Als u de stekker uit het stopcontact neemt, trek dan niet aan het snoer, maar aan de stekker.
- Om brand of elektrische schok te voorkomen, dient u dit apparaat niet bloot te stellen aan regen of vocht.
- Verwijder of plaats een stekker nooit met natte handen resp. uit en in het stopcontact.
- Indien zowel de stekker en/of netsnoer als snoeringang in het apparaat beschadigd zijn dient dit door een vakman hersteld te worden.
- Indien het apparaat zo beschadigd is dat inwendige (onder)delen zichtbaar zijn mag de stekker NOOIT in het stopcontact worden geplaatst en het apparaat NOOIT worden ingeschakeld. Neem in dit geval contact op met de dealer.
- Reparatie aan het apparaat dient te geschieden door een vakman of een deskundige.
- Sluit het apparaat alleen aan op een 220-240VAC / 50Hz (geaard) stopcontact, verbonden met een 10-16A meterkastgroep.
- Bij onweer altijd de stekker uit het stopcontact halen, zo ook wanneer het apparaat voor een langere tijd niet gebruikt wordt. Stelregel: Bij geen gebruik stekker verwijderen.
- Als u het apparaat lang niet gebruikt heeft en het weer wil gebruiken kan er condens ontstaan; laat het apparaat eerst op kamertemperatuur komen alvorens het weer in werking te stellen.
- Apparaat nooit in vochtige ruimten en buiten gebruiken.
- Om ongevallen in bedrijven te voorkomen moet rekening worden gehouden met de daarvoor geldende richtlijnen en moeten de aanwijzingen/waarschuwingen worden gevolgd.
- Het apparaat buiten bereik van kinderen houden. Bovendien mag het apparaat nooit onbeheerd gelaten worden.
- Gebruik geen schoonmaakspray om de schakelaars te reinigen. Restanten van deze spray zorgen ervoor dat smeer en stof ophopen. Raadpleeg bij storing te allen tijde een deskundige.
- Gebruik geen overmatige kracht bij het bedienen van het apparaat.
- Bij een ongeval met dit product altijd eerst een deskundige raadplegen alvorens opnieuw te gebruiken.
- Tracht het apparaat niet schoon te maken met chemische oplossingen. Dit kan de lak beschadigen. Gebruik een droge doek om schoon te maken.
- Blijf uit de buurt van elektronische apparatuur die bromstoringen zouden kunnen veroorzaken.
- Bij reparatie dienen altijd originele onderdelen te worden gebruikt om onherstelbare beschadigingen en/of ontoelaatbare straling te voorkomen.
- Schakel eerst het toestel uit voordat u het netsnoer verwijdert. Verwijder netsnoer en aansluitsnoeren voordat u dit product gaat verplaatsen.
- Zorg ervoor dat het netsnoer niet beschadigd/defect kan raken wanneer mensen erover heen lopen. Het netsnoer vóór ieder gebruik controleren op breuken/defecten!
- In Nederland/België is de netspanning 220-240Vac/50Hz. Indien u reist (en u neemt het apparaat mee) informeer dan naar de netspanning in het land waar u verblijft.



Deze markering wordt weergegeven om u erop attent te maken dat een levensgevaarlijke spanning in het product aanwezig is en dat bij aanraking van deze delen een elektrische schok wordt verkregen.



Deze markering wordt weergegeven om u erop te wijzen dat de instructie zeer belangrijk is om te lezen en/of op te volgen.

OPMERKING: Om zeker te zijn van een correcte werking, dient u dit apparaat in een ruimte te gebruiken waar de temperatuur tussen de 5°C/41°F en 35°C/95°F ligt.



Raadpleeg eventueel www.wecycle.nl en/of www.vrom.nl v.w.b. het afdanken van elektronische apparaten in het kader van de WEEE-regeling. Vele artikelen kunnen worden gerecycled, gooi ze daarom niet bij het huisvuil maar lever ze in bij een gemeentelijk depot of uw dealer. Lever ook afgedankte batterijen in bij uw gemeentelijk depot of bij de dealer, zie www.stibat.nl

Alle (defecte) artikelen dienen gedurende de garantieperiode altijd retour te worden gezonden in de originele verpakking. Voer zelf geen reparaties uit aan het toestel; in elk geval vervalt de totale garantie. Ook mag het toestel niet eigenmachtig worden gemodificeerd, ook in dit geval vervalt de totale garantie. Ook vervalt de garantie bij ongevallen en beschadigingen in elke vorm t.g.v. onoordeelkundig gebruik en het niet in acht nemen van het gestelde in deze gebruiksaanwijzing. Tevens aanvaardt Power Dynamics geen enkele aansprakelijkheid in geval van persoonlijke ongelukken als gevolg van het niet naleven van veiligheidsinstructies en waarschuwingen. Dit geldt ook voor gevolgschade in welke vorm dan ook.

UITPAKKEN

LET OP! Onmiddellijk na ontvangst, zorgvuldig uitpakken van de doos, controleer de inhoud om ervoor te zorgen dat alle onderdelen aanwezig zijn en zijn in goede staat zijn ontvangen. Bij transportschade of ontbreken van onderdelen onmiddellijk de verkopende partij inlichten. Bewaar de verpakking en het verpakkingsmateriaal. Indien het product moet worden teruggestuurd, is het belangrijk dat het product in originele verpakking wordt geretourneerd.

Als het apparaat is blootgesteld aan drastische temperatuurverschillen (bv. na het transport), schakel het apparaat niet onmiddellijk in. De ontstane condensatie kan het apparaat beschadigen. Zorg ervoor dat het apparaat op kamertemperatuur komt en steek vervolgens de voeding stekker in het stopcontact/wandcontactdoos.

AANSLUITSPANNING

Op het label aan de achterzijde van het product staat aangegeven op welke netspanning deze moet worden aangesloten. Controleer of de netspanning hiermee overeenkomt, bij alle andere netspanningen dan aangegeven kan het apparaat onherstelbaar worden beschadigd. Tevens moet het apparaat direct op de netspanning worden aangesloten en mag géén dimmer of regelbare voeding worden gebruikt.



Sluit het apparaat altijd aan op een beschermd circuit (aardlekschakelaar of zekering). Zorg ervoor dat het apparaat voldoende elektrisch is geaard om het risico op elektrocutie of brand te vermijden.

100V SYSTEEM

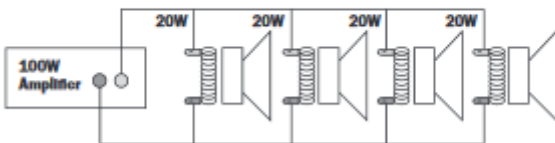
Om een 100Volt systeem te creëren sluit u de versterker aan op de eerste luidspreker in het systeem met behulp van dubbel geïsoleerde luidsprekerkabel die berekend is op voldoende stroomcapaciteit om het signaal te verwerken.

Sluit de "100V" uitgangsklem aan op de positieve (+) aansluiting van de luidspreker en de "COM" uitgang naar de negatieve (-) aansluiting van de luidspreker. Sluit de eventuele overige luidsprekers parallel aan de eerste luidspreker aan met alle positieve aansluitingen en verbind ze samen en alle negatieve aansluitingen worden samen aangesloten zoals hieronder aangegeven.

Voorbeelden

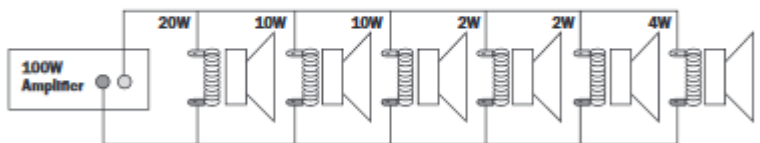
Standard 100V line

4 x 20W - 80W load



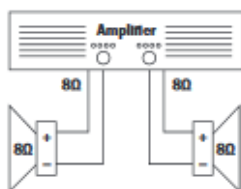
Multi-tap 100V line

20 + 10 + 10 + 2 + 2 + 4 = 48W load

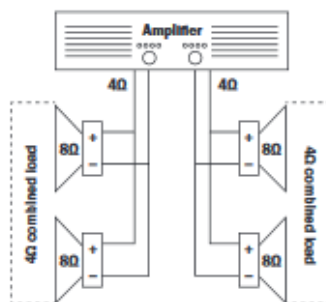


8Ω examples:

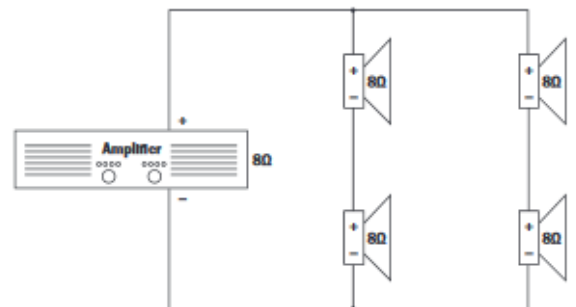
Standard 2 luidspreker setup



Parallel 4 luidspreker setup



Series parallel 4 luidspreker mono setup



Een 100V lijn luidsprekersysteem kan bestaan uit vele luidsprekersprekers die samen zijn verbonden. De bepalende factor voor aantal luidsprekers die op een enkele versterker kan worden aangesloten, is afhankelijk van het versterkervermogen. Voor de meeste doeleinden is het raadzaam om zoveel mogelijk luidsprekers aan te sluiten met een gecombineerd vermogen van niet meer dan 90% van de uitgangsvermogen van de versterker.

De aansluitpunten van een 100V luidspreker zijn verbonden met een transformator en in sommige gevallen kan deze transformator worden ingesteld voor verschillende vermogens. Door de luidsprekers zodanig in te stellen kan het wattage (en uitgangsvolume) van elke luidspreker in het systeem aangepast worden om het ideale totale vermogen van het systeem voor de versterker te bereiken.

LUIDSPREKER UITGANGEN

De versterker biedt meerdere luidspreker aansluitingen: een laagspanningsuitgangen 8Ω- en een 100V-uitgang.

Houd er rekening mee dat alleen een kabel met COM-schroef en een kabel op de geselecteerde impedantie of spanning moet worden aangesloten.

OPGELET: Meerdere combinaties kunnen niet worden uitgevoerd op het uitgangsniveau!

Er zijn twee verschillende soorten verbindingen. De lage impedantie sectie: 8Ω is ontworpen voor één luidspreker die op uw versterker moeten worden aangesloten. De sectie 100V is speciaal ontworpen voor de distributie van meerdere luidsprekers. Bij gebruik van de 100V-uitgang moeten de luidsprekers uitgerust zijn met 100V transformator. Het maximum aantal luidsprekers dat op uw distributielijnen wordt geplaatst, is in verhouding tot het vermogen die aan elke luidspreker wordt toegewezen. Het totale wattage aan de secundaire kant van de transformatoren op uw luidsprekerkabel mag niet hoger zijn dan de maximale RMS-uitgangsstroom van het apparaat. Als u deze richtlijn niet hanteert, kan dit leiden tot permanente schade aan de versterker!

BEDIENING

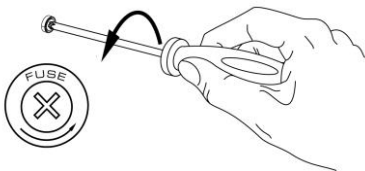
- Wanneer alle aansluitingen op de versterker zijn gemaakt, draai alle volumeregelaars naar beneden en schakel het netstroom in en de aan- / uitschakelaar indicatie-LED gaat branden. Draai de BASS- en TREBLE-regelaars recht omhoog en draai de MASTER-volumeregelaar langzaam omhoog.
- Zorg ervoor dat een audiosignaal van de lijn(en) wordt doorgestuurd en geleidelijk de volumeregeling voor betreffende kanaal verhogen tot gewenste volume door de luidsprekers wordt gehoord. Zet de MASTER op het maximale vereiste volumeniveau en verminder eventueel de kanaalvolume regelaar.
- De uitgang van de versterker wordt weergegeven via de niveau-meter LED's en er moet voor worden gezorgd dat de rode "0" LED alleen tijdens gebruik licht oplicht. Enigszins langer dan een korte flits van deze LED kan duiden op vervorming of het "clippen" van het uitgangssignaal. Hierop moet de volume worden gereduceerd om permanente beschadiging te voorkomen.
- Als een microfoon is aangesloten op de MIC1 ingang, controleer of deze is ingeschakeld en als het fantoomvermogen vereist, controleer of deze functie is ingeschakeld. Verhoog de volumeregelaar geleidelijk terwijl u in de microfoon spreekt tot het gewenste volume bereikt is. De microfoon mag geen signaal vanuit de luidsprekers ontvangen, wat rondzingen kan veroorzaken.

Naast de kanaal- en MASTER-volumeregelingen, zijn er BASS en TREBLE EQ-regelaars om de toon van de totale uitgang aan te passen. Indien de regelaars in de middenpositie bevinden heeft dit geen effect op het uitgaande signaal. Als u de BASS-regelaar naar rechts draait, wordt de lage frequentie in het geluid verhoogd, terwijl u deze tegen de klok in draait, deze lage frequenties snijdt. Op dezelfde manier verhoogt de TREBLE-regelaar met de klok mee de hoge frequenties in het geluid, terwijl wanneer je deze tegen de klok in draait, de hoge frequenties snijdt. Pas deze EQ-regelaars aan voor uw gewenste akoestiek.

VERVANGEN VAN ZEKERINGEN

Indien de zekering defect is, dient u de zekering te vervangen door een zekering van hetzelfde type en waarde. Voor het vervangen van de zekering, schakel eerst de stroom uit en volg de onderstaande stappen.

Procedure:



Stap 1: Open de zekeringhouder op het achterpaneel met een passende platte schroevendraaier.

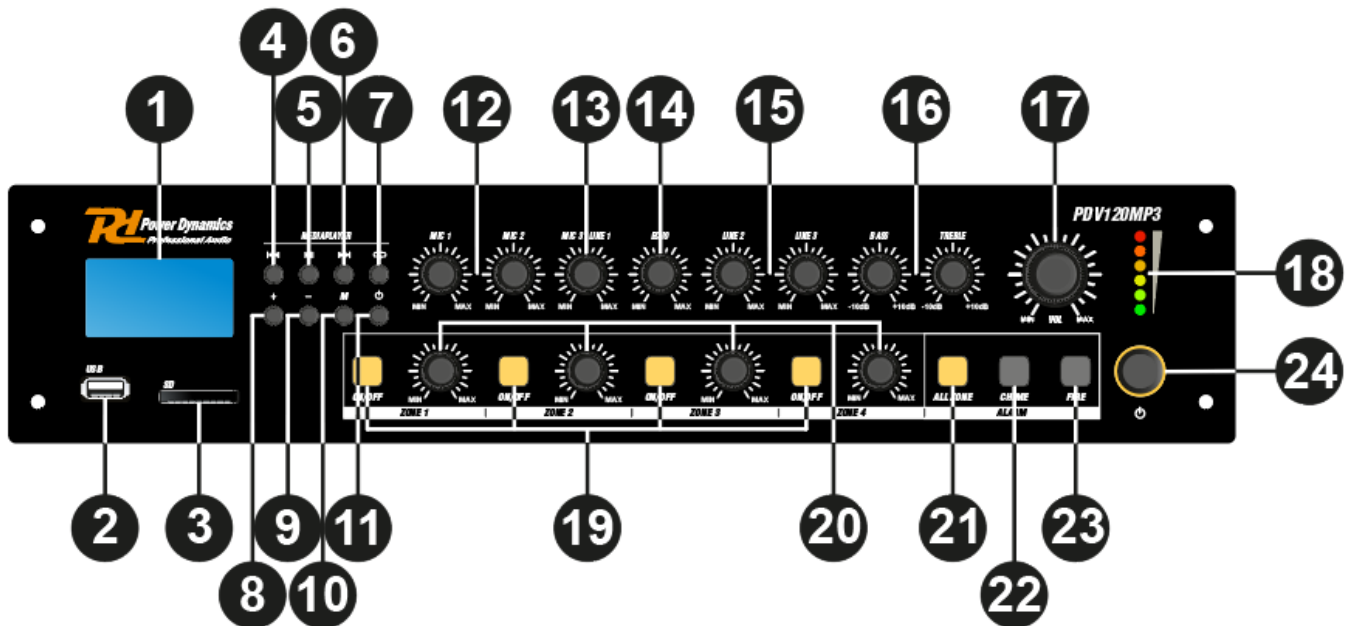
Stap 2: Verwijder de oude zekering uit de zekeringhouder.

Stap 3: Installeer de nieuwe zekering in de zekeringhouder.

Stap 4: Plaats de zekeringhouder in de behuizing.

BEDIENELEMENTEN EN AANSLUITINGEN

Overzicht voorpaneel:



- 1. LCD WEERGAVE**
LCD weergave geeft modi en de huidige functie(s) weer.
- 2. USB POORT**
Hier kan een USB-opslagapparaat worden aangesloten. Tracks die op het opslagapparaat zijn opgeslagen, kunnen via de speler worden afgespeeld en worden automatisch afgespeeld wanneer het apparaat wordt aangesloten.
- 3. SD / MMC GEHEUGENKAART SLEUF**
SD/MMC-geheugenkaarten kunnen in deze sleuf worden geplaatst. Tracks die op het opslagapparaat zijn opgeslagen, kunnen via de speler worden afgespeeld en worden automatisch afgespeeld wanneer de geheugenkaart wordt geplaatst.
- 4. SKIP I<< TOETS**
Vorige track in USB-, SD/MMC- en BT-modus. Vorige opgeslagen zender in de tunermodus.
- 5. PLAY / PAUSE TOETS**
Bij het indrukken van deze toets wisselt het apparaat tussen afspelen- en pauzmodus.
- 6. SKIP >>I TOETS**
Volgende track in USB-, SD/MMC- en BT-modus. Volgende opgeslagen zender in de tunermodus.
- 7. REPEAT TOETS**
Wisselt de herhaalfunctie tussen één nummer herhalen, volledige afspeellijst herhalen, alles herhalen en herhalen uitschakelen.
- 8. + TOETS**
Verhoog het volume van de speler.
- 9. - TOETS**
Verlaag het volume van de speler.
- 10. M TOETS**
Wissel de inputkanalen tussen USB, SD/MMC, BT en tuner.
- 11. AAN / UIT SCHAKELAAR VOOR DE SPELER**
Indrukken: de speler gaat aan.
Ingedrukt houden: de speler gaat uit.
- 12. MICROFOON 1 & 2 VOLUMEREGELAAR**
Verhoog of verlaag het volume van de microfoon 1 en 2 ingangen.
- 13. MICROFOON 3 & LINE 1 VOLUMEREGELAAR**
Verhoog of verlaag het volume van de microfoon 3 en line 1 ingangen.
- 14. MICROFOON ECHOREGELAAR**
Pas het echoniveau op de microfoonkanalen aan.
- 15. LINE 2 & 3 VOLUMEREGELAAR**
Verhoog of verlaag het volume van line 2 & 3 input.

16. TOONREGELAAR

Met behulp van de knoppen voor de lage (bass) en hoge tonen (treble) kan de algemene frequentierespons van het systeem worden aangepast. Als er met de klok mee wordt gedraaid, wordt het niveau verhoogd. Door tegen de klok in te draaien zal het niveau worden verlaagd. In de middelste stand staan beide tonen op een neutraal niveau.

17. HOOFDVOLUMEREGELAAR

Met behulp van de hoofdvolumeregelaar wordt het algemene systeemvolume aangepast in een bereik tussen het minimum- en maximumniveau.

18. CLIP INDICATOR (VU-METER)

De clip-ledindicator geeft piekniveaus aan van de output van de versterker. Deze LEDs gaan branden wanneer de versterker aan het maximum van z'n vermogen zit. De volume dient dan onmiddellijk lager gedraaid te worden.

19. ZONE 1-4 UITGANG SCHAKELAARS

De verschillende aangesloten luidsprekers (1-4) kunnen worden in- en uitgeschakeld door op de schakelaars met de bijbehorende nummers te drukken. Wanneer een zone (1-4) is ingeschakeld, gaat er een oranje lampje op de betreffende schakelaar branden. Wanneer de 'All'-schakelaar wordt ingedrukt worden alle zone-uitgangen (1-4) ingeschakeld.

20. ZONE 1-4 UITGANG NIVEAUREGELAAR

Het uitgangsniveau van de verschillende zones (1-4) kan worden ingesteld met behulp van de draaiknoppen met de bijbehorende nummers.

21. ALL ZONE SCHAKELAAR

Wanneer de 'All'-schakelaar wordt ingedrukt worden alle zone uitgangen (1-4) ingeschakeld.

22. CHIME SCHAKELAAR

Bij het drukken van deze knop zal de gekozen gongtoon ingestart worden.

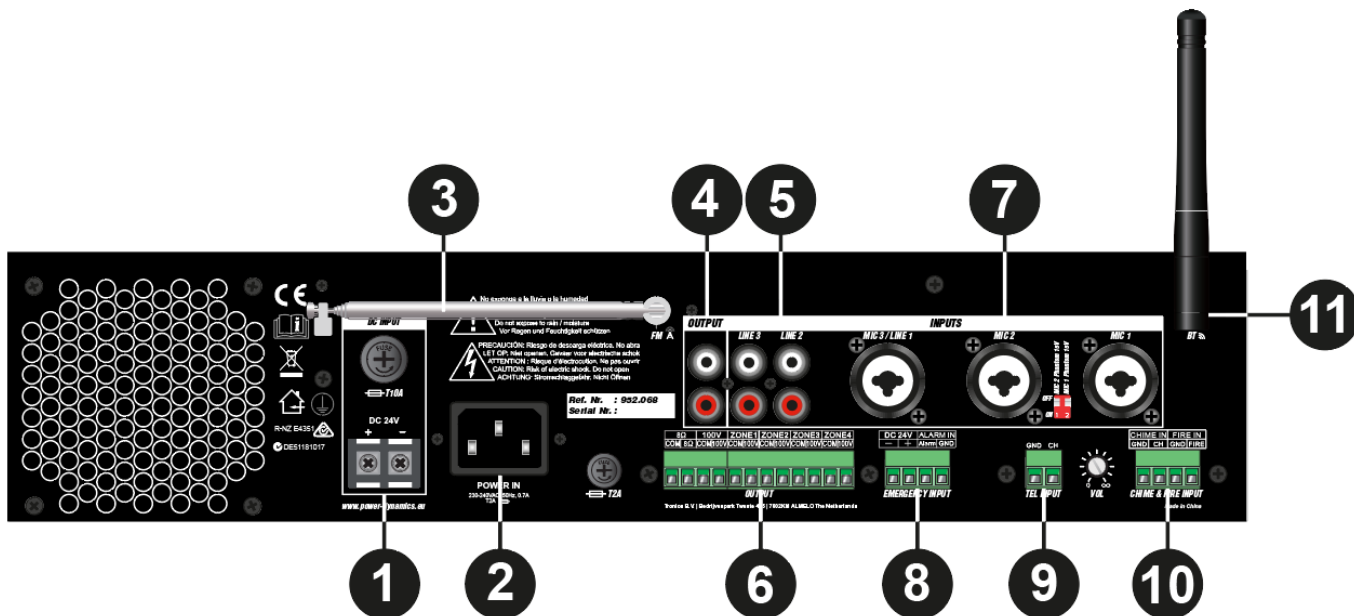
23. FIRE SCHAKELAAR

Wanneer de knop voor het brandalarm wordt ingedrukt, blijft deze afspelen totdat deze knop nogmaals wordt ingedrukt.

24. AAN / UIT SCHAKELAAR

Gebruik deze schakelaar om het apparaat aan en uit te zetten. Wanneer het apparaat wordt ingeschakeld, gaat het oranje lampje rond de aan/uit schakelaar branden. Na het inschakelen gaat de zoemer binnendien driemaal over en is er een klik, wat betekent dat de versterker klaar is voor gebruik.

Overzicht achterpaneel:



1. GELIJKSTROOM INGANG

Dit is een stand-by stroomtoevoer om een 24V batterij op aan te sluiten. De hoofdzekering bevindt zich aan de bovenzijde van deze ingang (voor instructies voor het vervangen van de zekering, zie 'Vervangen van Zekeringen').

2. NETENTREE

De meegeleverde voeding (230~240V AC / 50~60 Hz) dient op deze ingang te worden aangesloten. De hoofdzekering bevindt zich rechts van deze ingang (voor instructies voor het vervangen van de zekering, zie 'Vervangen van Zekeringen').

3. FM ANTENNE

Trek de antenne volledig uit om de best mogelijke FM-ontvangst te verkrijgen.

4. RCA UITGANGEN

Deze aansluitingen kunnen worden gebruikt bij het uitbreiden van uw systeem door het toevoegen van een tweede versterker. Verbind de LINE2- of LINE3-ingang van de tweede versterker met deze uitgangen om dit te doen.

5. ONGEBALANCEERDE LIJNINGANGEN 2 & 3 (RCA)

RCA ingangen 2 & 3. Kunnen als stereo ingang dienen door het rechtersignaal aan te sluiten op rood en het linkersignaal aan te sluiten op wit.

6. UITGANGSAANSLUITINGEN (KLEMMENBLOK)

Uitgangsaansluitingen voor zowel lage impedantie als constante spanning verdeelde audiosystemen. De luidspreker met lage impedantie en 100V constante spanning delen een 4-PIN-aansluitblok, de linker twee aansluitingen kunnen worden gebruikt om lage impedantie luidsprekers aan te sluiten, de rechter twee aansluitingen kunnen worden gebruikt om hoge impedantie (100V constante spanning) luidsprekers aan te sluiten. Zone (1-4) uitgangen worden vertegenwoordigd door een 8-PIN klemmenblok.

7. MIC3 / LINE1, MIC2 & MIC1 INGANGEN

Deze kanalen maken gebruik van combinatie connectoren, die zowel XLR als 6,3 mm jack pluggen accepteren. Beide ingangen zullen alle andere kanalen dempen wanneer er een signaal aanwezig is op de aangesloten microfoons en ingangen. Mic-ingang 1 & 2 kunnen worden gebruikt voor capacitieve microfoons. Fantoomvoedingschakelaars schakelen 15 Volt fantoomvoeding in wanneer een capacitieve microfoon is aangesloten. Schakelaar 2 voert fantoomvoeding naar Mic-ingang 1, terwijl schakelaar 1 fantoomvoeding naar Mic-ingang 2 voert.

8. NOODSIGNAAL INGANG

Hierop kunt u een alarmsysteem aansluiten.

9. TEL INGANG

Hierop kunt u een telefoonlijn aansluiten.

10. CHIME & FIRE INGANG

Met de ingangen Chime & Fire kunnen alle externe bronnen, zoals oproepposten, een signaalmatrix- of brandalarmsysteem worden aangesloten. Deze ingangen hebben voorrang op andere ingangen.

11. BT ANTENNE

Zorg er bij het verbinden met- en het gebruiken van BT voor dat de BT-antenne in een verticale positie is om het best mogelijke draadloze signaal te verzekeren.

DEUTSCH

Vielen Dank für den Kauf dieses Power Dynamics gerat. Nehmen Sie sich einen Augenblick Zeit, um diese Anleitung sorgfältig durchzulesen, damit sie die Möglichkeiten, die unser Produkt bietet, sofort voll ausnutzen können.

Lesen Sie erst die Anleitung vollständig vor der ersten Inbetriebnahme durch. Befolgen Sie die Anweisung, da sonst jeglicher Garantieanspruch verfällt. Treffen Sie stets alle Sicherheits-vorkehrungen um Feuer und/oder Stromschlag zu vermeiden. Reparaturen dürfen nur von qualifiziertem Fachpersonal ausgeführt werden, um Stromschlag zu vermeiden. Bewahren Sie diese Anleitung für spätere Bezugnahme auf.

- Bewahren Sie die Verpackung auf, um das Gerät im Bedarfsfall sicher transportieren zu können.
- Bevor das Gerät in Betrieb genommen wird, muss es erst von einem Fachmann überprüft werden. Bei der ersten Benutzung kann etwas Geruch auftreten. Das ist normal und verschwindet nach einer Weile
- Das Gerät enthält unter Spannung stehende Teile. Daher NIEMALS das Gehäuse öffnen.
- Keine Metallgegenstände oder Flüssigkeiten ins Gerät dringen lassen. Sie können zu Stromschlag und Defekten führen.
- Gerät nicht in der Nähe von Wärmequellen wie Heizkörpern aufstellen. Nicht auf eine vibrierende Oberfläche stellen. Niemals die Belüftungsschlitze abdecken.
- Das Gerät ist nicht für Dauerbetrieb geeignet.
- Gehen Sie vorsichtig mit dem Netzkabel um und beschädigen Sie es nicht. Eine beschädigte Netzschnur kann zu Stromschlag und Defekten führen.
- Wenn Sie das Gerät vom Netz trennen, immer am Stecker ziehen, niemals an der Schnur.
- Um Feuer und Stromschlag zu vermeiden, das Gerät vor Regen und Feuchtigkeit schützen.
- Den Stecker nie mit nassen Händen in eine Netzsteckdose stecken oder abziehen.
- Wenn sowohl der Stecker und/oder die Netzschnur bzw. der Kabeleintritt ins Gerät beschädigt sind, müssen sie von einem Fachmann repariert werden.
- Wenn das Gerät so beschädigt ist, dass Innenteile sichtbar sind, darf der Stecker NICHT in eine Steckdose gesteckt werden und das Gerät darf NICHT eingeschaltet werden. Wenden Sie sich in dem Fall an Ihren Fachhändler.
- Reparaturen dürfen nur von einem Fachmann oder Sachverständigen ausgeführt werden.
- Das Gerät nur an eine geerdete 10-16A Netzsteckdose mit 220-240V AC/50Hz Spannung anschließen.
- Bei Gewitter oder längerem Nichtgebrauch den Netzstecker abziehen. Die Regel gilt: Bei Nichtgebrauch Netzstecker abziehen.
- Wenn das Gerät längere Zeit nicht benutzt wurde, kann sich Kondenswasser gebildet haben. Lassen Sie das Gerät erst auf Zimmertemperatur kommen, bevor Sie es einschalten. Das Gerät nicht in feuchten Räumen oder im Freien benutzen.
- Um Unfällen in der Öffentlichkeit vorzubeugen, müssen die geltenden Richtlinien beachtet und die Anweisungen/Warnungen befolgt werden.
- Niemals das Gerät kurz hintereinander ein- und ausschalten. Dadurch verkürzt sich die Lebensdauer erheblich.
- Das Gerät außerhalb der Reichweite von Kindern halten. Das Gerät niemals unbeaufsichtigt lassen.
- Die Regler nicht mit Reinigungssprays reinigen. Diese hinterlassen Rückstände, die zu Staub- und Fettansammlungen führen. Bei Störungen immer einen Fachmann um Rat fragen.
- Das Gerät nur mit sauberen Händen bedienen.
- Das Gerät nicht mit Gewalt bedienen.
- Nach einem Unfall mit dem Gerät immer erst einen Fachmann um Rat fragen, bevor Sie es wieder einschalten.
- Keine chemischen Reinigungsmittel benutzen, die den Lack beschädigen. Das Gerät nur mit einem trockenen Tuch abwischen.
- Nicht in der Nähe von elektronischen Geräten benutzen, die Brummstörungen verursachen können.
- Bei Reparaturen nur die Original-Ersatzteile verwenden, um starke Schäden und/oder gefährliche Strahlungen zu vermeiden.
- Bevor Sie das Netz- und/oder Anschlusskabel abziehen, erst das Gerät ausschalten. Netz- und Anschlusskabel abziehen, bevor Sie das Gerät umstellen.
- Sorgen Sie dafür, dass das Netzkabel nicht beschädigt werden kann, wenn Menschen darüber laufen. Das Netzkabel vor jedem Einsatz auf Brüche/Schadstellen überprüfen.
- In Deutschland beträgt die Netzspannung 220-240V AC / 50Hz. Wenn Sie das Gerät auf Reisen mitnehmen, prüfen Sie, ob die örtliche Netzspannung den Anforderungen des Geräts entspricht.



Dieses Zeichen weist den Benutzer darauf hin, dass lebensgefährliche Spannungen im Gerät anliegen, die bei Berührung einen Stromschlag verursachen.



Dieses Zeichen lenkt die Aufmerksamkeit des Benutzers auf wichtige Hinweise in der Anleitung hin, die unbedingt eingehalten werden müssen.

HINWEIS: Um einen einwandfreien Betrieb zu gewährleisten, muss die Raumtemperatur zwischen 5° und 35°C liegen.



Tronios BV Registrierungsnummer : DE51181017 (ElektroG).

Dieses Produkt darf am Ende seiner Lebensdauer nicht über den normalen Haushaltsabfall entsorgt werden, sondern muss an einem Sammelpunkt für das Recycling abgegeben werden. Hiermit leisten Sie einen wichtigen Beitrag zum Schutze unserer Umwelt.

Tronios BV Registrierungsnummer : 21003000 (BatterieG).

Lithiumbatterien und Akkupacks sollten nur im entladenen Zustand in die Altbatteriesammelgefäße bei Handel und bei öffentlich-rechtlichen Entsorgungsträgern gegeben werden. Bei nicht vollständig entladenen Batterien Vorsorge gegen Kurzschluß treffen durch Isolieren der Pole mit Klebestreifen. Der Endnutzer ist zur Rückgabe von Altbatterien gesetzlich verpflichtet.

Reparieren Sie das Gerät niemals selbst und nehmen Sie niemals eigenmächtig Veränderungen am Gerät vor. Sie verlieren dadurch den Garantieanspruch. Der Garantieanspruch verfällt ebenfalls bei Unfällen und Schäden in jeglicher Form, die durch unsachgemäßen Gebrauch und Nichtbeachtung der Warnungen und Sicherheitshinweise in dieser Anleitung entstanden sind. Power Dynamics ist in keinem Fall verantwortlich für persönliche Schäden in Folge von Nichtbeachtung der Sicherheitsvorschriften und Warnungen. Dies gilt auch für Folgeschäden jeglicher Form.

AUSPACKEN

Packen Sie das Gerät sofort nach Empfang aus und prüfen Sie den Inhalt. Wenn Teile fehlen oder beschädigt sind, benachrichtigen Sie sofort den Spediteur und bewahren Sie die Verpackung auf. Falls ein Gerät ins Werk zurückgeschickt werden muss, ist es wichtig, dass es in der Originalverpackung versandt wird.

Das Gerät darf nicht in Betrieb genommen werden, nachdem es von einem kalten in einen warmen Raum gebracht wurde. Das dabei entstehende Kondenswasser kann unter Umständen Ihr Gerät zerstören. Lassen Sie das Gerät solange uneingeschaltet, bis es Zimmertemperatur erreicht hat!

NETZANSCHLUSS

Die benötigte Versorgungsspannung steht auf dem Typenschild auf der Rückseite des Geräts. Die angegebenen Stromwerte entsprechen einem Durchschnittswert bei normalem Betrieb. Alle Geräte müssen direkt ans Netz angeschlossen werden und dürfen nicht über Dimmerpacks geschaltet werden. Bevor Sie eine Spannung anlegen, prüfen Sie, ob der Wert der zulässigen Spannung entspricht.



Verbinden Sie immer das Gerät an einem geschützten Schaltkreis (Leistungsschalter oder Sicherung). Stellen Sie sicher, das Gerät ist elektrisch geerdet, um das Risiko eines Stromschlags oder Feuer zu vermeiden.

100V LINE SYSTEM

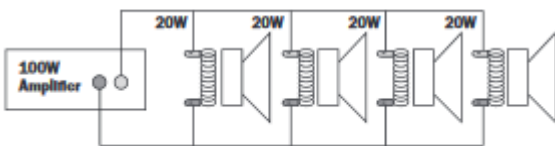
Um ein 100-V-System zu erstellen, verbinden die Verstärker an den ersten Lautsprechern im System doppelt isolierte Lautsprecherkabel mit ausreichend Leistungskapazität haben, um das Signal zu verarbeiten.

Verbinden Sie den „100 V“ Ausgangsanschluß mit dem positiven (+) Anschluß des Lautsprechers und dem „COM“ Ausgangs mit dem negativen (-) Anschluss des Lautsprechers. Schließen Sie alle anderen Lautsprechers an den ersten Lautsprecher parallel mit den positiven Anschlüssen und verbinden sie miteinander, und alle negativen Anschlüsse miteinander verbunden sind wie unten gezeigt.

Beispiele

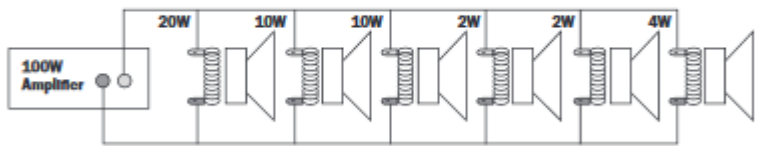
Standard 100V line

4 x 20W - 80W load



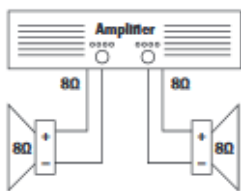
Multi-tap 100V line

20 + 10 + 10 + 2 + 2 + 4 = 48W load

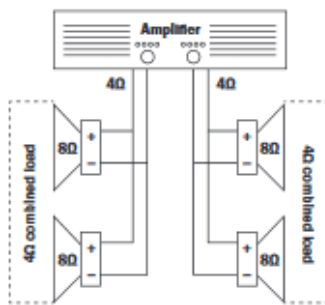


8Ω examples:

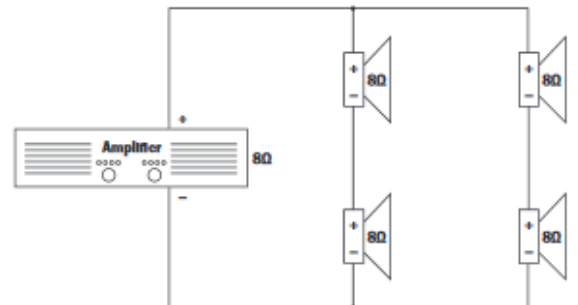
Standard 2 loudspeaker setup



Parallel 4 loudspeaker setup



Series parallel 4 loudspeaker mono setup



Ein 100V-Lautsprechersystem kann aus vielen miteinander verbundenen Lautsprechern bestehen. Der entscheidende Faktor für wie viele Lautsprecher können auf einem einzigen Verstärker verwendet werden, ist die Leistung. Für die meisten Zwecke ist es ratsam, so viele Lautsprecher wie nötig mit einer kombinierten Leistung von nicht mehr als 90% der Ausgangsleistung des Verstärkers zu verbinden.

Der Anschluss eines 100-V-Lautsprecher sind mit einem Transformator verbunden und in einigen Fällen kann dieser Transformator für unterschiedliche Kräfte eingestellt werden. Durch Einstellen der Lautsprecher so die Leistung in Watt (und Ausgangsvolumen) jeden Lautsprechers in dem System eingestellt werden, um die idealen Gesamtvermögen des System Verstärker zu erzielen.

LAUTSPRECHER-ANSCHLÜSSE

Der Verstärker liefert mehrere Lautsprecheranschlüsse mit 1 Niederspannungsausgänge 8Ω und 100V-Ausgang.

Bitte beachten Sie, dass nur ein Kabel mit COM Schraube und Kabeln muss an der ausgewählten Impedanz oder Spannung angeschlossen werden.

ACHTUNG: Mehrere Kombinationen können nicht auf dem Ausgangspegel durchgeführt werden!

Es gibt zwei verschiedene Arten von Verbindungen. Die niedrige Impedanz Abschnitt: 8Ω ist für einen einzelnen Lautsprecher an den Verstärker angeschlossen werden. Der Abschnitt 100V ist für die Verteilung von mehreren Lautsprechern. Wenn die 100V Ausgangslautsprechern müssen mit 100V Transformator ausgestattet werden. Die maximale Anzahl von Lautsprechern, die auf der Verteilungsleitung gelegt wird, ist in Bezug auf die Vermögenswerte zu jedem Lautsprecher zugeordnet werden. Die Gesamtleistung auf der Sekundärseite des Transformators auf dem Lautsprecherkabel darf die maximale RMS Ausgangsleistung nicht überschreiten. Die Nichtbeachtung kann zu einer dauerhaften Beschädigung des Verstärkers führen.

BEDIENUNG

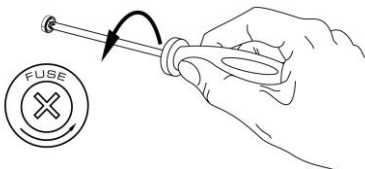
- Wenn alle Verbindungen zum Verstärker hergestellt sind, drehen Sie alle Drehschalter nach unten und schalten Sie die Stromversorgung ein, das orangen Licht um den Netzschalter herum leuchtet auf. Drehen Sie die BASS- und TREBLE-Regler auf die 12-Uhr-Position und drehen Sie den MASTER-Drehknopf teilweise zum Testen.
- Vergewissern Sie sich, dass ein Signal an einen der Line-Eingänge angelegt wird, und erhöhen Sie die Lautstärkeregelung für diesen Kanal allmählich, bis der Ausgang über die Lautsprecher gehört wird. Drehen Sie den MASTER auf die maximal erforderliche Lautstärke und reduzieren Sie ggf. die Lautstärke des Kanals.
- Der Ausgang des Verstärkers ist auf den Pegelmesser-LEDs dargestellt und es ist darauf zu achten, dass die rote "LED" während des Betriebs nur kurzzeitig leuchtet. Etwas mehr als ein kurzes Blinken der LED Verzerrung oder „Clipping“ des Ausgangssignals, um anzuzeigen. Dieses Volumen sollte reduziert werden, um bleibende Schäden zu verhindern.
- Wenn ein Mikrofon an den MIC1-Eingang angeschlossen ist, stellen Sie sicher, dass es eingeschaltet ist und wenn es Phantomspeisung erfordert, stellen Sie sicher, dass diese Funktion aktiviert ist. Allmählich erhöht die Lautstärkeregelung während des Sprechens in das Mikrofon, bis die gewünschte Lautstärke erreicht ist. Das Mikrofon sollte nicht in der Lage sein, die Lautsprecher zu hören, was zu Rückmeldungen führen kann (Quietschen oder Heulen).

Zusätzlich zu den Kanal- und MASTER-Lautstärkereglern gibt es BASS- und TREBLE-EQ-Regler, um den Ton des Gesamtausgangs einzustellen. Bei der 12-Uhr-Position wenden diese Bedienelemente keine Auswirkung auf das Signal (kein Boost oder Cut). Das Bewegen des BASS-Reglers im Uhrzeigersinn erhöht die tiefen Frequenzen im Audio, während es im Gegenuhrzeigersinn die niedrigen Frequenzen schaltet. Ebenso erhöht das Bewegen des TREBLE-Reglers im Uhrzeigersinn die hohen Frequenzen im Audio, während er im Gegenuhrzeigersinn die hohen Frequenzen schneidet. Passen Sie diese EQ-Regler an die Art des Audiosignals an oder kompensieren Sie die Raumakustik.

SICHERUNGSWECHSEL

Wenn die Feinsicherung des Gerätes defekt ist, darf diese nur durch eine Sicherung gleichen Typs ersetzt werden. Vor dem Sicherungswechsel ist das Gerät allpolig von der Netzspannung zu trennen (Netzsteckerziehen).

Vorgehensweise:



Schritt 1: Öffnen Sie den Sicherungshalter an der Geräterückseite mit einem passenden Schraubendreher.

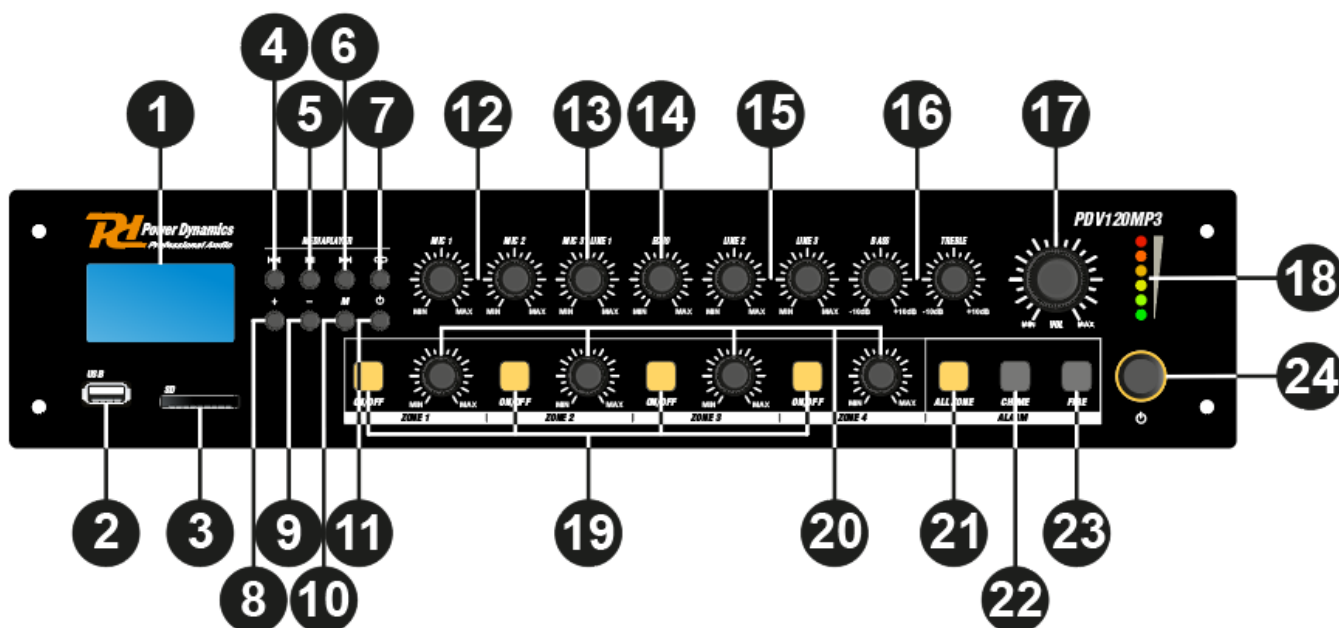
Schritt 2: Entfernen Sie die defekte Sicherung aus dem Sicherungshalter.

Schritt 3: Setzen Sie die neue Sicherung in den Sicherungshalter ein.

Schritt 4: Setzen sie den Sicherungshalter wieder im Gehäuse ein.

BEDIENELEMENTEN EN AANSLUITINGEN

Vorderseite:



1. **LCD DISPLAY**
Zeigt Modus und aktuellen Funktionen.
2. **USB ANSCHLUSS**
Hier kann ein USB-Speichergerät angeschlossen werden. Auf dem Speichermedium gespeicherte Songs können vom Player wiedergegeben werden und werden beim Einlegen des Geräts automatisch wiedergegeben.
3. **SD / MMC SPEICHERKARTE SCHLITZ**
In diesen Steckplatz können SD/MMC-Speicherkarten eingesetzt werden. Auf dem Speichermedium gespeicherte Tracks können über den Player abgespielt werden und starten automatisch die Wiedergabe, wenn das Gerät eingesetzt wird.
4. **SKIP I<< TASTE**
Vorheriger Titel im USB-, SD/MMC- oder BT-Modus. Vorheriger gespeicherter Sender im Tuner-Modus.
5. **PLAY / PAUSE TASTE**
Jedes Mal, wenn Sie die Taste PLAY/PAUSE drücken, wechselt der Vorgang von Abspielen zu Pausieren oder von Pausieren zu Abspielen.
6. **SKIP >>I TASTE**
Nächster Titel im USB-, SD/MMC- und BT-Modus. Nächster gespeicherter Sender im Tuner-Modus.
7. **REPEAT TASTE**
Schalten Sie die Wiederholungsfunktion zwischen Wiederholung einer Track, Wiederholung den gesamten Playlist, Wiederholung alle Tracks und Wiederholung aus.
8. **+ TASTE**
Erhöhen Sie die Lautstärke des Players.
9. **- TASTE**
Verringern Sie die Lautstärke des Players.
10. **M TASTE**
Zum umschalten der Funktionsmodus zwischen USB, SD/MMC, BT und Tuner.
11. **EIN / AUS-SCHALTER**
Drücken: Den player wird eingeschaltet.
Gedrückt halten: Den Player wird ausgeschaltet.
12. **MIKROFON 1 & 2 LAUTSTÄRKEREGLER**
Erhöhen oder verringern Sie die Lautstärke der Eingänge Mikrofon 1 und 2.
13. **MIKROFON 3 & LINE 1 LAUTSTÄRKEREGLER**
Erhöhen oder verringern Sie die Lautstärke der Eingänge Mikrofon 3 oder Line 1.
14. **MIKROFON-ECHO-STEUERUNG**
Einstellen des Echopegels an Mikrofonkanälen.
15. **LINE 2 & 3 LAUTSTÄRKEREGLER**
Erhöhen oder verringern Sie die Lautstärke der Eingänge Line 2 und 3.

16. TONREGLER

Mit den Reglern Bass und Treble kann der gesamte Frequenzgang des Systems eingestellt werden. Bei Drehung im Uhrzeigersinn wird der Pegel erhöht. Gegen den Uhrzeigersinn drehen führt zu einem Abfall des Pegels. In der Mittelstellung sind beide auf Neutralpegel eingestellt.

17. MASTER-LAUTSTÄRKEREGLER

Mit dem Master-Lautstärkereglern wird die Gesamtlautstärke des Systems in einem Bereich zwischen minimalem und maximalem Pegel eingestellt.

18. LED-/CLIP-ANZEIGEN

Diese LEDs leuchten auf, wenn einer oder beide Kanäle auf Höchstleistung eingestellt sind. Es kann vorkommen, dass diese LEDs zeitweilig aufleuchten. Das ist kein Problem. Wenn sie aber ständig aufleuchten, müssen Sie die Lautstärke reduzieren, um Schaden zu vermeiden.

19. ZONE 1-4 AUSGANG SCHALTERN

Die verschiedenen angeschlossenen Lautsprecher (1-4) können durch Drücken der Schalter mit den entsprechenden Zahlen ein- und ausgeschaltet werden. Wenn eine Zone (1-4) aktiviert ist, leuchtet ein oranges Licht auf dem entsprechenden Schalter. Wenn der Schalter "All" gedrückt wird, werden alle Ausgänge der Zone (1-4) aktiviert.

20. ZONE 1-4 AUSGANGSPEGELREGELUNG

Der Ausgangspegel verschiedener Zonen (1-4) kann über die Drehschalter mit den entsprechenden Zahlen eingestellt werden.

21. ALL ZONE SCHALTER

Wenn der Schalter "All" gedrückt wird, werden alle Ausgänge der Zone (1-4) (de)aktiviert.

22. GONG-SCHALTER

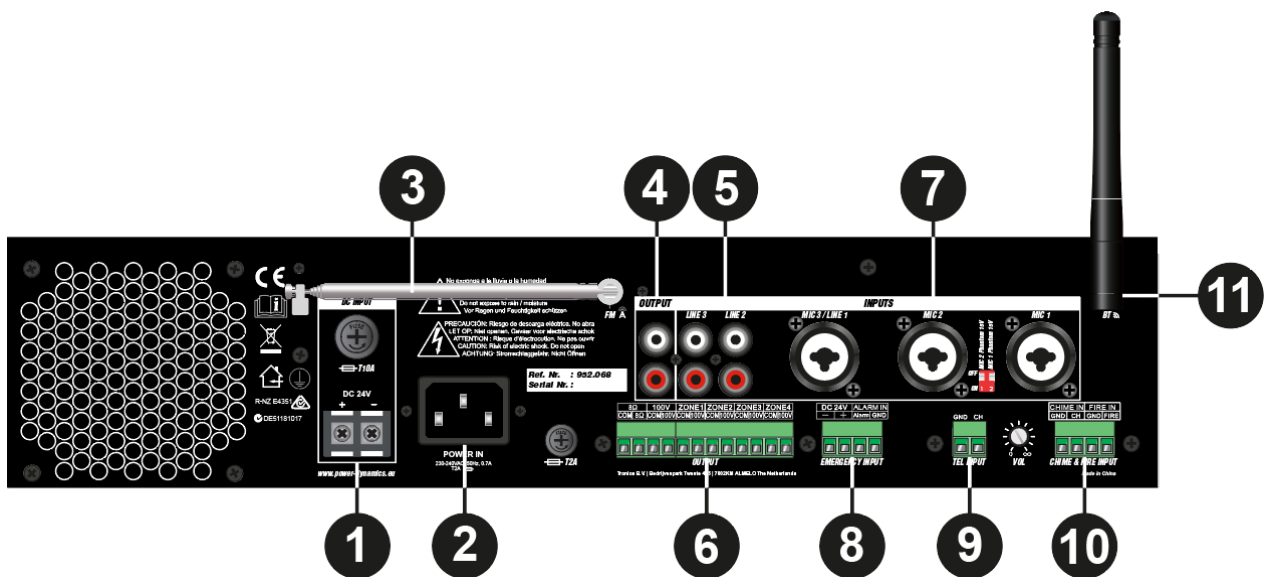
Wenn die Gong-Taste gedrückt wird, wird der ausgewählte Gong-Ton als Voransage für die Durchsage einmal abgespielt.

23. FEUERSCHALTER

Wenn die Feuertaste gedrückt wird, geht der Feueralarm durch die Schleife, bis die Feuertaste erneut gedrückt wird.

24. EIN / AUS NETZSCHALTER

Verwenden Sie diesen Schalter, um das Gerät ein- und auszuschalten. Wenn das Gerät eingeschaltet ist, leuchtet das orangefarbene Licht um den Netzschalter herum. Nach dem Einschalten ertönt der Summer dreimal im Inneren und es erfolgt ein Klick, was bedeutet, dass der Verstärker betriebsbereit ist.



Rückseite:

1. DC EINGANG

An diesen Stecker muss die Hauptgleichstromversorgung (24V) angeschlossen werden. Dies ist eine Standby-Stromversorgung zum Anschluss einer 24V-Batterie. Ein Sicherungshalter mit der Hauptsicherung befindet sich oberhalb des DC-Netzeingangs (Anweisungen zum Austausch der Sicherung finden Sie unter 'Sicherungswechsel').

2. AC NETZEINGANG

An diesen Eingang muss das mitgelieferte Netzteil (230~240V AC / 50~60 Hz) angeschlossen werden. Die Hauptsicherung befindet sich rechts neben diesem Eingang (Anweisungen zum Austausch der Sicherung finden Sie unter 'Sicherungswechsel').

3. FM ANTENNE

Um die FM-Radiofunktion zu nutzen, ziehen Sie diese Antenne heraus, um den bestmöglichen FM-Empfang zu gewährleisten.

4. AUSGANG VERBINDUNGEN (RCA)

Diese Anschlüsse können bei der Erweiterung Ihres Systems durch einen zweiten Verstärker verwendet werden. Verbinden Sie den LINE2- oder LINE3-Eingang des zweiten Verstärkers mit dieser OUT-Verbindung, um dies zu tun.

5. LINE EINGÄNGE 2 & 3 (RCA)

RCA Line-Eingänge 2 & 3. Kann in einen Stereo-Line-Eingang umgewandelt werden, indem man rechts an rot, links an weiß anschließt.

6. AUSGANG VERBINDUNGEN (TERMINAL BLOCK)

Ausgangsanschlüsse für niederohmige und spannungsgesteuerte Audiosysteme. Der niederohmige Lautsprecher und der 100V-Konstantspannungsausgang teilen sich eine 4-PIN-Klemmleiste, links zwei können zum Anschluss von niederohmigen Lautsprechern verwendet werden, die beiden rechts können zum Anschluss von hochohmigen (100V-Konstantspannungslautsprechern) verwendet werden. Die Ausgänge der Zone (1-4) werden durch einen 8-poligen Stecker dargestellt.

7. MIC3 / LINE1, MIC2 & MIC1 EINGÄNGE

Diese Kanäle verwenden Kombistecker, die sowohl XLR- als auch 6,3-mm-Klinkenstecker aufnehmen. Beide Eingangsformen schalten alle anderen Kanäle stumm, wenn ein Signal an den angeschlossenen Mikrofonen/Eingängen anliegt. Der Mikrofoneingang 1 & 2 kann verwendet werden für kapazitive Mikrofone. Phantomspeiseschalter ermöglichen 15 Volt Phantomspeisung, wenn ein kapazitives Mikrofon angeschlossen ist. Schalter 2 speist Phantomspeisung an Mikrofoneingang 1, während Schalter 1 Phantomspeisung an Mikrofoneingang 2 speist.

8. NOTFALL-EINGANG

Der Verstärker kann an jeden beliebigen 100V-Konstantspannungsverstärkerausgang mit einer DC-24V-Fernbedienung angeschlossen werden, die als Notlichteingang verwendet wird. Wenn die DC 24V Signale vorliegen, schaltet der Verstärker auf alle angeschlossenen Lautsprecher (Konstantspannungsausgang) um, um das Notsignal auszusenden.

9. TEL EINGANG

Der Verstärker kann über den TEL-Eingang an jedes Telekommunikationssystem angeschlossen werden, so dass Durchsagen von einem Mobilteil aus möglich sind. Es handelt sich um einen Line-Pegel-Eingang mit Priorität. Unsymmetrische Eingangsanschlüsse sollten an den Klemmen "CH" (Hot oder Signal) und "GND" (Masse) vorgenommen werden.

10. CHIME & FIRE EINGANG

Ermöglichen den Anschluss an jede externe Quelle wie Sprechstellen, eine Signalmatrix oder eine Brandmeldeanlage. Diese Eingänge haben Vorrang vor anderen Eingängen.

11. BT ANTENNE

Bei der Verbindung mit BT ist darauf zu achten, dass die BT-Antenne in eine vertikale Position gebracht wird, um ein bestmögliches drahtloses Signal zu gewährleisten.

SICHERUNGSWECHSEL

Wenn die Feinsicherung des Gerätes defekt ist, darf diese nur durch eine Sicherung gleichen Typs ersetzt werden. Vor dem Sicherungswechsel ist das Gerät allpolig von der Netzspannung zu trennen (Netzsteckerziehen).

Vorgehensweise:



Schritt 1: Öffnen Sie den Sicherungshalter an der Geräterückseite mit einem passenden Schraubendreher.

Schritt 2: Entfernen Sie die defekte Sicherung aus dem Sicherungshalter.

Schritt 3: Setzen Sie die neue Sicherung in den Sicherungshalter ein.

Schritt 4: Setzen Sie den Sicherungshalter wieder im Gehäuse ein.

ESPAÑOL

Felicitaciones a la compra de este producto Power Dynamics. Por favor lea atentamente este manual antes de usar el aparato para disfrutar al completo de sus prestaciones.

Seguir las instrucciones le permite no invalidar la garantía. Tome todas las precauciones para evitar que se produzca fuego o una descarga eléctrica. Las reparaciones solo deben llevarse a cabo por técnicos cualificados para evitar descargas eléctricas. Guarde el manual para futuras consultas.

Antes de usar el aparato, por favor pida consejo a un profesional. Cuando el aparato se enciende por primera vez, suele sentirse cierto olor. Esto es normal y desaparece al poco tiempo.

- Este aparato contiene piezas que llevan voltaje. Por lo tanto NO abra la carcasa.
- No coloque objetos metálicos o vierta líquidos dentro del aparato. Podría producir descargas eléctricas y fallos en el funcionamiento.
- No coloque el aparato cerca de fuentes de calor tipo radiadores, etc. No coloque el aparato en superficies vibratorias. No tape los agujeros de ventilación.
- Este aparato no está preparado para un uso continuado.
- Tenga cuidado con el cable de alimentación y no lo dañe. Un daño o defecto en el cable de alimentación puede producir una descarga eléctrica o fallo en el funcionamiento.
- Cuando desconecte el aparato de la toma de corriente, siempre tire de la clavija, nunca del cable.
- No enchufe o desenchufe el aparato con las manos mojadas.
- Si la clavija y/o el cable de alimentación están dañados, necesitan reemplazarse por un técnico cualificado.
- Si el aparato está dañado de modo que puedan verse sus partes internas, NO conecte el aparato a la toma de corriente y NO lo encienda. Contacte con su distribuidor.
- Para evitar un fuego o peligro de descarga, no exponga el aparato a la lluvia y a la humedad.
- Todas las reparaciones deben llevarse a cabo exclusivamente por técnicos cualificados.
- Conecte el aparato a una toma de corriente con toma de tierra (220-240Vca/50Hz) protegida por un fusible de 10-16A.
- Durante una tormenta o si el aparato no va a usarse durante un periodo largo de tiempo, desconéctelo de la toma de corriente. La regla es: Desconéctelo si no lo va a usar.
- Si el aparato no se ha usado en mucho tiempo puede producirse condensación. Deje el aparato a temperatura ambiente antes de encenderlo. Nunca utilice el aparato en ambientes húmedos o en el exterior.
- Para prevenir accidentes en las empresas, debe seguir las directrices aplicables y seguir las instrucciones.
- No lo apague y encienda repetidamente. Esto acorta su tiempo de vida.
- Mantenga el aparato fuera del alcance de los niños. No deje el aparato sin vigilancia.
- No utilice sprays limpiadores para limpiar los interruptores. Los residuos de estos sprays producen depósitos de polvo y grasa. En caso de mal funcionamiento, siempre consulte a un profesional.
- No fuerce los controles.
- Si el aparato se ha caído, siempre haga que lo verifique un técnico cualificado antes de encenderlo otra vez.
- NO utilice productos químicos para limpiar el aparato. Dañan el barniz. Tan solo límpielo con un trapo seco.
- Manténgalo lejos de equipos electrónicos ya que pueden producir interferencias.
- Solo utilice recambios originales para las reparaciones, de otro modo pueden producirse daños serios y/o radiaciones peligrosas.
- Apague el aparato antes de desconectarlo de la toma de corriente y/o de otros equipos. Desconecte todos los cables y conexiones antes de mover el aparato.
- Asegúrese de que el cable de alimentación no puede dañarse cuando la gente lo pise. Compruebe el cable de alimentación antes de cada uso por si hay daños o defectos.
- El voltaje de funcionamiento es 220-240Vca/50Hz. Compruebe que la toma de corriente coincide. Si tiene que viajar, asegúrese de que el voltaje del país es el adecuado para este aparato.
- Guarde el embalaje original para poder transportar el aparato en condiciones seguras.



Esta señal advierte al usuario de la presencia de alto voltaje en el interior de la carcasa y que es de la suficiente magnitud como para producir una descarga eléctrica.



Esta señal advierte al usuario de que el manual contiene instrucciones importantes que han de leerse y seguirse al pie de la letra.

NOTA: Para asegurarse de que el aparato funcione correctamente, debe usarse en ambientes a una temperatura de entre 5°C/41°F y 35°C/95°F.



Los productos electrónicos no pueden tirarse a la basura normal. Por favor lleve este producto a un centro de reciclaje. Pregunte a la autoridad local en caso de duda. Las especificaciones son generales. Los valores actuales pueden variar de una unidad a otra. Las especificaciones pueden variar sin previo aviso.

Nunca intente reparar usted mismo este equipo. Esta manipulación anulará la garantía. No realice cambios en la unidad. Esta manipulación anulará la garantía. Esta garantía no es aplicable en caso de accidente o daños ocasionados por uso indebido del aparato o mal uso del mismo. Power Dynamics no se hace responsable de daños personales causados por el no seguimiento de las normas e instrucciones de este manual. Esto es aplicable también a los daños de cualquier tipo.

INSTRUCCIONES DE DESEMBALAJE

ATENCIÓN! Inmediatamente después de recibir un dispositivo, desempaqué cuidadosamente la caja de cartón, compruebe el contenido para asegurarse de que todas las partes están presentes, y se han recibido en buenas condiciones. Notifique inmediatamente al transportista y conserve el material de embalaje para la inspección por si aparecen daños causados por el transporte o el propio envase muestra signos de mal manejo. Guarde el paquete y todos los materiales de embalaje. En el caso de que deba ser devuelto a la fábrica, es importante que el aparato sea devuelto en la caja de la fábrica y embalaje originales.

Si el aparato ha estado expuesto a grandes cambios de temperatura (tras el transporte), no lo enchufe inmediatamente. La condensación de agua producida podría dañar su aparato. Deje el dispositivo apagado hasta que se haya alcanzado la temperatura ambiente.

FUENTE DE ALIMENTACIÓN

En la etiqueta de la parte trasera del controlador se indica el tipo de fuente de alimentación que debe ser conectado. Compruebe que la tensión de red corresponda a esto, todos los otros voltajes a la especificada, puede causar efectos irreparable. El producto también debe estar conectado directamente a la red para ser utilizado. No en ninguna fuente de alimentación o dimmer ajustable.



Conecte siempre el producto a un circuito protegido (disyuntor o fusible). Asegúrese de que el producto tiene una toma de tierra adecuada para evitar el riesgo de electrocución o incendio.

SISTEMA DE LINEA DE 100V

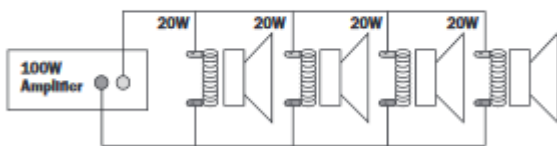
Para los sistemas de línea de 100V, conecte el amplificador al primer altavoz del sistema usando un cable de altavoz de doble aislamiento que tenga una clasificación de corriente adecuada para manejar la salida total del amplificador.

Conecte el terminal de salida "100V" a la conexión positiva (+) del altavoz y la salida "COM" a la conexión negativa (-) del altavoz. Conecte otros altavoces en paralelo al primer altavoz con todos los terminales positivos y conectados entre sí y todos los terminales negativos conectados juntos como se muestra a continuación.

Ejemplo

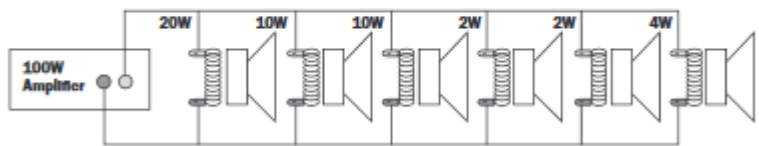
Standard 100V line

4 x 20W - 80W load



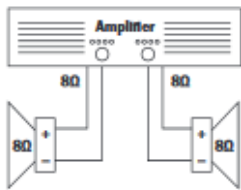
Multi-tap 100V line

20 + 10 + 10 + 2 + 2 + 4 = 48W load

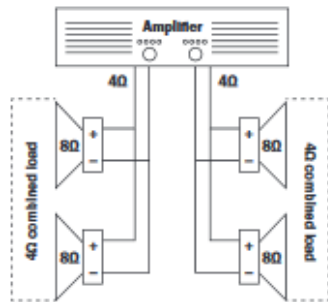


8Ω examples:

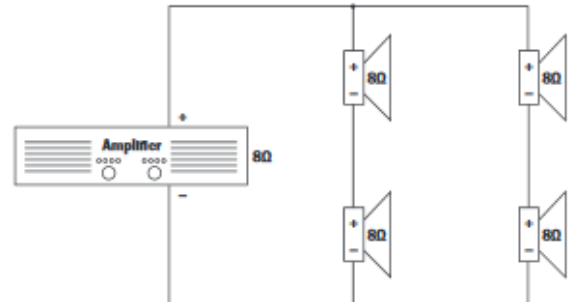
Standard 2 loudspeaker setup



Parallel 4 loudspeaker setup



Series parallel 4 loudspeaker mono setup



Un sistema de altavoces de línea de 100V puede incluir varios altavoces conectados entre sí. El factor determinante para cuántos altavoces se pueden utilizar en un solo amplificador es la potencia nominal. Para la mayoría de los propósitos, se aconseja conectar tantos altavoces como sea necesario con un voltaje combinado de no más del 90% de la potencia nominal del amplificador.

Los terminales de un altavoz de 100V están conectados a un transformador y en algunos casos, este transformador puede ser "tapped" para diferentes potencias. Estas grabaciones se pueden utilizar para ajustar el vataje (y el volumen de salida) de cada altavoz en el sistema para ayudar a lograr la potencia total ideal del sistema para el amplificador.

TERMINALES ALTAVOCES , CONEXIONES

Estos terminales ofrecen una salida de baja tensión 8Ω También está disponible una salida comercial de 100V.

Tenga en cuenta que sólo se debe conectar un cable al tornillo COM y un cable a la impedancia o vataje seleccionado.

ATENCIÓN: No se pueden realizar múltiples combinaciones en el nivel de salida.

Se proporcionan dos tipos diferentes de conexiones. La baja impedancia 8Ω está diseñada para conectar una pequeña cantidad de altavoces a su amplificador. La sección de 100V está especialmente diseñada para una distribución de múltiples altavoces. Cuando se utiliza la salida de 100V, los altavoces tienen que estar equipados con transformador de 100V. La cantidad máxima de altavoces a colocar en su línea de distribución es en relación con la potencia asignada a cada altavoz. El vataje total establecido en el lado secundario de los transformadores de su línea de altavoces no debe exceder la potencia máxima de salida RMS. El incumplimiento de esta norma puede causar daños permanentes al amplificador.

PASOS

- Cuando se realizan todas las conexiones al amplificador, gire todos los controles giratorios hacia abajo y encienda la alimentación y se encenderá un LED de encendido. Gire los controles BASS y TREBLE a la posición de las 12 en punto (apuntando hacia arriba) y gire el control giratorio MASTER hasta la mitad del camino para probar.
- Asegúrese de que una señal está siendo alimentada a una de las entradas de línea y aumente gradualmente el control de volumen para ese canal hasta que se oiga la salida a través de los altavoces. Suba el MASTER al nivel máximo de volumen deseado y reduzca el control de volumen del canal si es necesario.
- Nota: La prueba inicial puede realizarse utilizando el reproductor de audio USB / SD incorporado. La salida del amplificador está representada en los LEDs del medidor de nivel y se debe tener cuidado de que el LED rojo "0" sólo se encienda momentáneamente durante el uso. Cualquier cosa más larga que un flash corto de este LED puede estar indicando distorsión o recorte de la señal de salida y el MASTER debe ser girado hacia abajo.
- Si un micrófono está conectado a la entrada MIC1, asegúrese de que está encendido y si requiere alimentación phantom, asegúrese de que esta función esté habilitada. Aumente gradualmente su control de volumen mientras habla en el micrófono hasta alcanzar el nivel de volumen deseado. El micrófono no debe ser capaz de "oír" los altavoces, lo que puede causar retroalimentación (chillido o ruido aullido).

Además de los controles de volumen de canal y master, hay controles bass y treble eq para ajustar el tono de la salida general. En la posición de las 12, estos controles no están aplicando ningún efecto a la señal (sin aumento o corte). Al mover el control bass en el sentido de las agujas del reloj, se aumentan las frecuencias bajas en el audio, mientras que el movimiento en sentido antihorario reduce estas frecuencias bajas. Del mismo modo, mover el control treble en el sentido de las agujas del reloj aumenta las altas frecuencias en el audio, mientras que moverlo en sentido contrario a las agujas del reloj cortará estas altas frecuencias. Ajuste estos controles eq para adaptarlos al tipo de señal de audio o para compensar la acústica de la sala.

CAMBIANDO EL FUSIBLE

Si el fusible está defectuoso, reemplace el fusible por un fusible del mismo tipo y valor. Antes de sustituir el fusible, desconectar de la corriente.

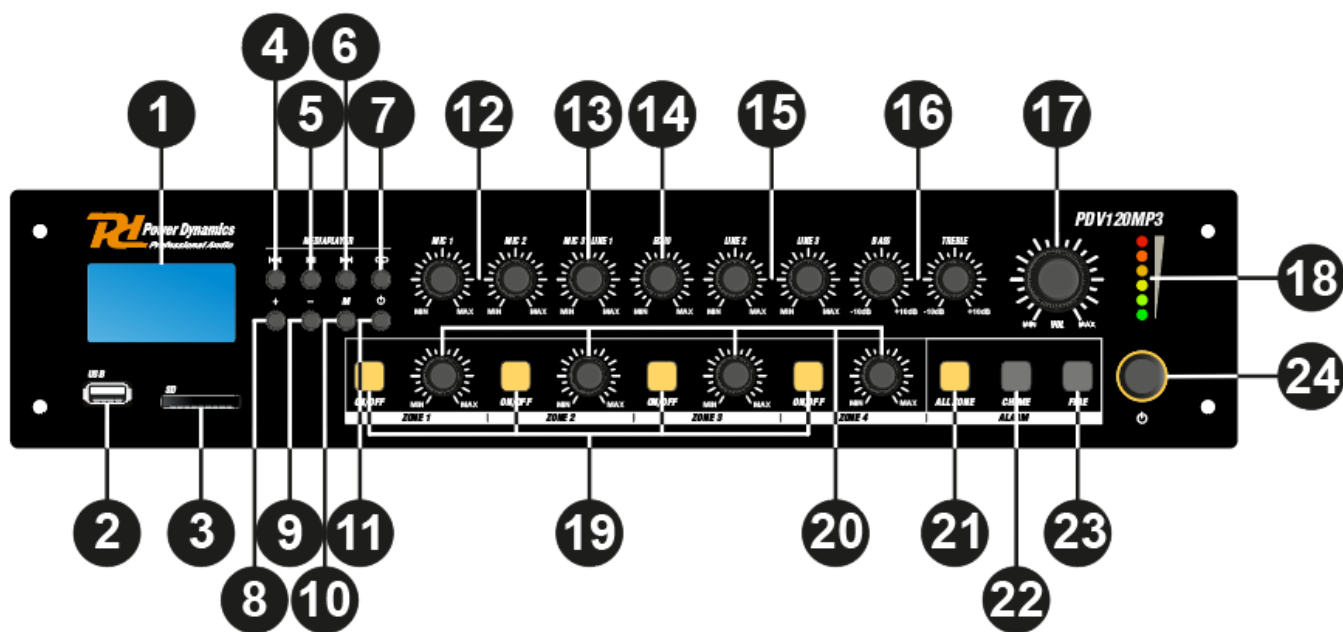
Procedimiento:



- Paso 1: Abra el portafusibles del panel trasero con un destornillador adecuado.
- Paso 2: Retire el fusible viejo del portafusibles.
- Paso 3: Instale el fusible nuevo en el portafusibles.
- Paso 4: Vuelva a colocar el portafusibles en la caja.

CONTROLES Y CONEXIONES

Panel Frontal:



- 1. LCD DISPLAY**
Muestra los modos y el estado de funcionamiento actual.
- 2. PUERTO USB**
Un dispositivo de almacenamiento USB se puede insertar aquí. Las pistas almacenadas en el dispositivo de almacenamiento se pueden reproducir a través del reproductor y comenzarán a reproducirse automáticamente cuando se inserta el dispositivo.
- 3. RANURA SD / MMC MEMORY CARD**
Las tarjetas de memoria SD / MMC se pueden insertar en esta ranura. Las pistas almacenadas en el dispositivo de almacenamiento se pueden reproducir a través del reproductor y comenzarán a reproducirse automáticamente cuando se inserta el dispositivo.
- 4. BOTÓN SKIP I<<**
Pista anterior en modo USB, SD / MMC o BT. Emisora almacenada anteriormente en modo tuner.
- 5. BOTÓN PLAY / PAUSE**
Cada vez que presiona el botón PLAY / PAUSE, la operación cambia de reproducción a pausa o de pausa a reproducción.
- 6. BOTÓN SKIP >>I**
Siguiendo pista en modo USB, SD / MMC y BT. Siguiendo emisora almacenada en modo tuner.
- 7. BOTÓN REPEAT**
Cambia la función de repetición entre repetir una pista, repetir una carpeta completa, repetir todas y repetir off.
- 8. BOTÓN +**
Incrementa el volumen.
- 9. - BUTTON**
Disminuye el volumen.
- 10. BOTÓN M**
Cambie el modo de operación entre USB, SD / MMC, BT y tuner.
- 11. BOTÓN POWER ON / OFF**
Presione: Enciende el reproductor.
Mantener presionado: apaga el reproductor.
- 12. CONTROL VOLÚMEN MICRÓFONO 1 & 2**
Aumenta o disminuye el volumen de entrada de micrófono 1 y 2.
- 13. CONTROL VOLÚMEN MICRÓFONO 3 & LINE 1**
Aumenta o disminuye el volumen de la entrada de micrófono 3 o línea 1.
- 14. CONTROL ECHO MICRÓFONO**
Ajusta el nivel de eco en los canales del micrófono.
- 15. CONTROL VOLÚMEN LINE 2 & 3**
Aumenta o disminuye el volumen de las líneas 2 y 3 de entrada.

16. CONTROL DE TONO

Usando los mandos de graves y agudos, se puede ajustar la respuesta de frecuencia general del sistema. Mientras se gira hacia la derecha, el nivel se incrementará. El giro a la izquierda resultará en una disminución de nivel. En la posición central, ambos se ajustan a nivel neutro.

17. CONTROL MASTER VOLÚMEN

Usando el control de volumen maestro, el volumen general del sistema se ajustará en un rango entre el nivel mínimo y máximo.

18. INDICADORES LED (VU-METER)

El LED monitorea el nivel de salida actual dentro de un rango de -18 dB y 0 dB, mientras que el LED superior (rojo) se ilumina cuando la salida está saturada.

19. INTERRUPTORES DE SALIDA DE ZONA 1-4

Las diferentes líneas de altavoces conectados (1-4) se pueden activar y desactivar presionando los interruptores con los números correspondientes. Cuando se habilita una zona (1-4), se mostrará una luz anaranjado en el interruptor correspondiente. Cuando se presiona el interruptor 'All', se habilitarán todas las salidas de la zona (1-4).

20. CONTROL VOLÚMEN SALIDA DE ZONA 1-4

El nivel de salida de las diferentes zonas (1-4) se puede ajustar mediante los interruptores de banda con los números correspondientes.

21. INTERRUPTOR TODAS LAS ZONAS

Cuando se presiona el interruptor 'All', se habilitarán todas las salidas de la zona (1-4).

22. INTERRUPTOR CHIME

Cuando se presiona el botón de timbre, el tono de timbre seleccionado se reproducirá una vez.

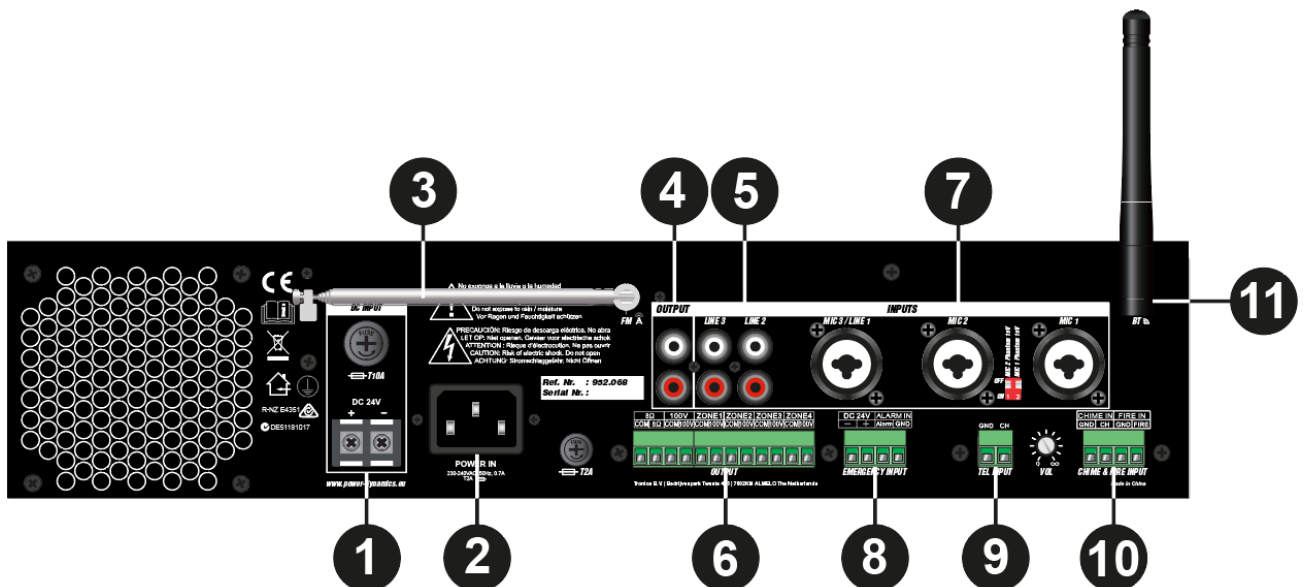
23. INTERRUPTOR FIRE

Cuando se presiona el botón de disparo, la alarma de incendio pasa por el bucle hasta que se presiona nuevamente.

24. INTERRUPTOR ON / OFF POWER

Use este interruptor para encender la unidad. Vuelva a utilizar el interruptor para apagar el dispositivo. Al encender el dispositivo, la luz anaranjado alrededor del botón de encendido se iluminará. Después de encenderse, el zumbador interno sonará tres veces y luego se activará el relé de protección de salida (se escuchará un clic cuando esto ocurra), lo que significa que el amplificador está listo.

Panel Trasero:



1. ENTRADA CORRIENTE CONTINUA

La fuente de alimentación de CC principal (24 V) debe aplicarse a este conector. Esta es una entrada de alimentación de reserva para conectar una batería de 24V. Un portafusibles con el fusible principal se encuentra en la parte superior de la entrada de alimentación de CC (para obtener instrucciones sobre el reemplazo del fusible, consulte "Cambiando el Fusible").

2. ENTRADA CORRIENTE AL TERNA

La fuente de alimentación de CA principal (230 ~ 240 VCA / 50 ~ 60 Hz) debe aplicarse a esta entrada de alimentación de CA. El fusible principal se encuentra a la derecha de la entrada de alimentación de CA (para las instrucciones de reemplazo de fusibles, consulte "Cambiando el Fusible").

3. FM ANTENA

Para utilizar la función de radio FM, saque esta antena para garantizar la mejor recepción de FM posible.

4. CONEXIONES DE SALIDA (RCA)

Estas conexiones pueden usarse al expandir su sistema agregando un segundo amplificador. Conecte la entrada LINE2 o LINE3 del segundo amplificador con esta conexión 'OUT'.

5. ENTRADAS NO BALANCEADAS 2 &3 (RCA)

Entradas de línea de conector RCA 2 y 3. Se pueden convertir en una entrada de línea estéreo conectando de derecha a rojo, de izquierda a blanco.

6. CONEXIONES DE SALIDA (TERMINAL BLOCK)

Conexiones de salida para audiosistemas distribuidos de baja impedancia y tensión constante. El altavoz de baja impedancia y la salida de voltaje constante de 100 V comparten un bloque de terminales de 4 PIN, los dos izquierdos se pueden usar para conectar altavoces de baja impedancia, los dos de la derecha se pueden usar para conectar altavoces de alta impedancia (voltaje constante de 100 V). Las salidas de zona (1-4) están representadas por un conector de 8 pines.

7. ENTRADAS MIC3 / LINE1, MIC2 & MIC1

Estos canales utilizan conectores de combinación, aceptando enchufes XLR y de 6,3 mm. Las formas de ambas entradas silenciarán todos los demás canales cuando haya una señal presente en los micrófonos / entradas conectados. Las entradas de micrófono 1 y 2 se pueden utilizar para Micrófonos capacitivos. Los interruptores de alimentación phantom permiten la alimentación de 15 voltios cuando se conecta un micrófono capacitivo. El interruptor 2 alimentará la alimentación phantom a la entrada de micrófono 1, mientras que el interruptor 1 alimenta la alimentación phantom a la entrada de micrófono 2.

8. ENTRADA EMERGENCIA

El amplificador se puede conectar a cualquier salida de amplificador de voltaje constante de 100 V con un control remoto de CC de 24 V utilizado como entrada de emergencia. Cuando la señal de 24 VCC, el amplificador cambiará a todos los altavoces conectados (salida de voltaje constante) para enviar la señal de emergencia.

9. ENTRADA TEL

El amplificador se puede conectar a cualquier sistema de telecomunicaciones mediante la entrada TEL, lo que permite hacer anuncios desde un teléfono. Es una entrada de nivel de línea con prioridad. Las conexiones de entrada no balanceadas deben hacerse a los terminales 'CH' (Hot or Signal) y 'GND' (Tierra).

10. ENTRADAS CHIME & FIRE

Las entradas Chime & Fire permiten la conexión de cualquier fuente externa, como estaciones de llamada, una matriz de señal o un sistema de alarma contra incendios. Estas entradas tienen prioridad sobre otras entradas.

11. BT ANTENA

Cuando se conecte y use el BT, asegúrese de ajustar la antena BT a una posición vertical para garantizar la mejor señal inalámbrica posible.

FRANÇAIS

Nous vous remercions d'avoir acheté un produit Power Dynamics. Veuillez lire la présente notice avant l'utilisation afin de pouvoir en profiter pleinement.

Veuillez lire la notice avant toute utilisation. Respectez impérativement les instructions afin de continuer à bénéficier de la garantie. Prenez toutes les précautions nécessaires pour éviter tout incendie ou décharge électrique. Seul un technicien spécialisé peut effectuer les réparations. Nous vous conseillons de conserver la présente notice pour pouvoir vous y reporter ultérieurement.

- Avant d'utiliser l'appareil, prenez conseil auprès d'un spécialiste. Lors de la première mise sous tension, il est possible qu'une odeur soit perceptible. C'est normal, l'odeur disparaîtra peu de temps après.
- L'appareil contient des composants porteurs de tension. N'OUVREZ JAMAIS le boîtier.
- Ne placez pas des objets métalliques ou du liquide sur l'appareil, cela pourrait causer des décharges électriques et dysfonctionnements..
- Ne placez pas l'appareil à proximité de sources de chaleur, par exemple radiateur. Ne positionnez pas l'appareil sur une surface vibrante. N'obtenez pas les ouïes de ventilation.
- L'appareil n'est pas conçu pour une utilisation en continu.
- Faites attention au cordon secteur, il ne doit pas être endommagé.
- Lorsque vous débranchez l'appareil de la prise secteur, tenez-le par la prise, ne tirez jamais sur le cordon.
- Ne branchez pas et ne débranchez pas l'appareil avec les mains mouillées.
- Seul un technicien spécialisé peut remplacer la fiche secteur et / ou le cordon secteur.
- Si l'appareil est endommagé et donc les éléments internes sont visibles, ne branchez pas l'appareil, NE L'ALLUMEZ PAS. Contactez votre revendeur.
- Pour éviter tout risque d'incendie ou de décharge électrique, n'exposez pas l'appareil à la pluie ou à l'humidité.
- Seul un technicien habilité et spécialisé peut effectuer les réparations
- Branchez l'appareil à une prise secteur 220-240 Vac/50 Hz avec terre, avec un fusible 10-16 A.
- Pendant un orage ou en cas de non utilisation prolongée de l'appareil, débranchez l'appareil du secteur.
- En cas de non utilisation prolongée de l'appareil, de la condensation peut être créée. Avant de l'allumer, laissez l'appareil atteindre la température ambiante. Ne l'utilisez jamais dans des pièces humides ou en extérieur.
- Afin d'éviter tout accident en entreprise, vous devez respecter les conseils et instructions.
- N'allumez pas et n'éteignez pas l'appareil de manière répétée. Cela réduit sa durée de vie.
- Conservez l'appareil hors de la portée des enfants. Ne laissez pas l'appareil sans surveillance.
- N'utilisez pas d'aérosols pour nettoyer les interrupteurs. Les résidus créent des dépôts et de la graisse. En cas de dysfonctionnement, demandez conseil à un spécialiste.
- Ne forcez pas les réglages.
- Si l'accumulateur est endommagé, remplacez-le par un accumulateur de même type et déposez l'ancien accumulateur dans un container de recyclage adapté.
- Si l'appareil est tombé, faites-le toujours vérifier par un technicien avant de le rallumer.
- Pour nettoyer l'appareil, n'utilisez pas de produits chimiques qui abîment le revêtement, utilisez uniquement un tissu sec.
- Tenez toujours l'appareil éloigné de tout équipement électrique pouvant causer des interférences.
- Pour toute réparation, il faut impérativement utiliser des pièces d'origine, sinon il y a risque de dommages graves et / ou de radiations dangereuses.
- Eteignez toujours l'appareil avant de le débrancher du secteur et de tout autre appareil. Débranchez tous les cordons avant de déplacer l'appareil.
- Assurez-vous que le cordon secteur n'est pas abîmé si des personnes viennent à marcher dessus. Avant toute utilisation, vérifiez son état.
- La tension d'alimentation est de 220-240Vac/50 Hz. Vérifiez la compatibilité. Si vous voyagez, vérifiez que la tension d'alimentation du pays est compatible avec l'appareil.
- Conservez l'emballage d'origine pour pouvoir transporter l'appareil en toute sécurité.



Ce symbole doit attirer l'attention de l'utilisateur sur les tensions élevées présentes dans le boîtier de l'appareil, pouvant engendrer une décharge électrique.



Ce symbole doit attirer l'attention de l'utilisateur sur des instructions importantes détaillées dans la notice, elles doivent être lues et respectées.

Cet appareil porte le symbole CE. Il est interdit d'effectuer toute modification sur l'appareil. La certification CE et la garantie deviendraient caduques !

NOTE: Pour un fonctionnement normal de l'appareil, il doit être utilisé en intérieur avec une plage de température maximale autorisée entre 5°C/41°F et 35°C/95°F.



Ne jetez pas les produits électriques dans la poubelle domestique. Déposez-les dans une décharge. Demandez conseil aux autorisés ou à votre revendeur. Données techniques réservées. Les valeurs actuelles peuvent varier d'un produit à l'autre. Tout droit de modification réservé sans notification préalable.

N'essayez pas de réparer l'appareil vous-même. Vous perdriez tout droit à la garantie. Ne faites aucune modification sur l'appareil. Vous perdriez tout droit à la garantie. La garantie deviendrait également caduque en cas d'accidents ou dommages causés par une utilisation inappropriée de l'appareil ou un non respect des consignes présentes dans cette notice. Power Dynamics ne pourrait être tenu responsable en cas de dommages matériels ou corporels causés par un non respect des consignes de sécurité et avertissements. Cela est également valable pour tous les dommages quelle que soit la forme.

DÉBALLAGE

ATTENTION ! Immédiatement après réception, vérifiez le contenu du carton et assurez-vous que tous les éléments sont bien présents et en bon état. Si besoin, faites les réserves nécessaires si le matériel ou les cartons sont endommagés. Si l'appareil doit être retourné, faites-le dans l'emballage d'origine.

Si l'appareil a été exposé à des fluctuations importantes de températures (par exemple après le transport), ne l'allumez pas immédiatement. De la condensation peut survenir. Laissez l'appareil éteint le temps qu'il atteigne la température ambiante.

ALIMENTATION

Vous trouvez sur l'étiquette à l'arrière de l'appareil, le type d'alimentation à utiliser. Vérifiez que la tension d'alimentation corresponde à celle mentionnée. Toute autre alimentation peut endommager l'appareil. Reliez l'appareil au secteur, il est prêt à être utilisé. En aucun cas, vous ne devez utiliser de dimmer ou d'alimentation réglable.



Connectez toujours l'appareil à un circuit protégé (disjoncteur ou fusible). Assurez-vous que l'appareil soit correctement relié à la terre afin d'éviter tout risque d'électrocution ou d'incendie

SYSTEME LIGNE 100 V

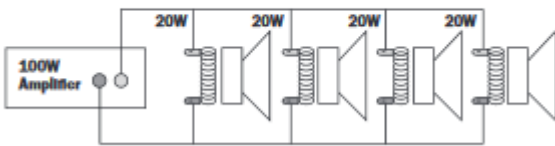
Pour des systèmes ligne 100 V, reliez l'amplificateur au premier haut-parleur dans le système en utilisant un câble haut-parleur à double isolation ayant la puissance adéquate pour supporter la sortie totale de l'amplificateur.

Reliez la borne de sortie "100V" à la borne (+) du haut-parleur et la sortie "COM" à la borne (-). Reliez d'autres haut-parleurs en parallèle au premier haut-parleur avec tous les borniers positifs ensemble et reliez tous les borniers négatifs ensemble comme indiqué sur le schéma.

Exemple

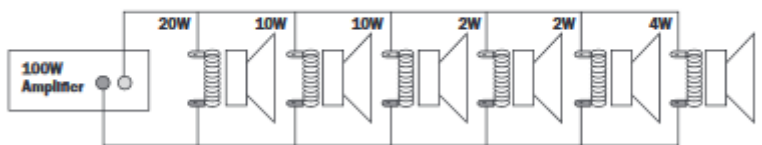
Standard 100V line

4 x 20W - 80W load



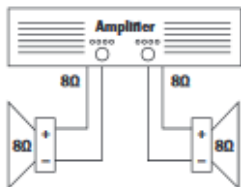
Multi-tap 100V line

20 + 10 + 10 + 2 + 2 + 4 = 48W load

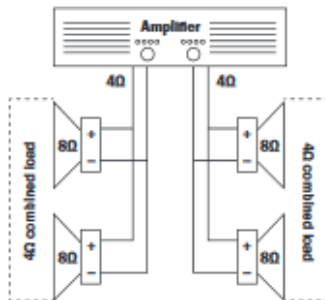


8Ω examples:

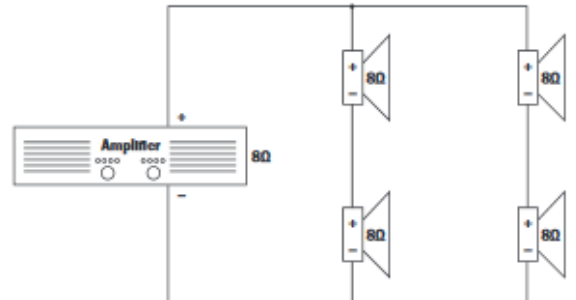
Standard 2 loudspeaker setup



Parallel 4 loudspeaker setup



Series parallel 4 loudspeaker mono setup



Un système ligne 100 V peut se composer de plusieurs haut-parleurs reliés entre eux. Le facteur permettant de définir le nombre de haut-parleurs pouvant être reliés à un seul amplificateur est la puissance. Pour la majorité des applications, il est conseillé de relier autant de haut-parleurs que nécessaire avec une puissance combinée de 90% au plus de la puissance de sortie de l'amplificateur.

Les bornes d'un haut-parleur 100 V sont reliées à un transformateur et dans certains cas, ce transformateur peut être utilisé pour différentes puissances. Ces réglages peuvent être utilisés pour régler la puissance (et le volume de sortie) de chaque haut-parleur dans le système pour obtenir la puissance totale idéale du système pour l'amplificateur.

BORNIERS HP

Ces bornes offrent une sortie basse tension 8Ω et une sortie 100V est également disponible.

Notez qu'un câble uniquement doit être connecté à la borne COM et un câble à l'impédance ou tension sélectionnée.

ATTENTION : Il n'est pas possible de faire des combinaisons multiples sur le niveau de sortie.

Deux types différents de branchement sont prévus.

Section basse impédance 8Ω: prévue pour une petite quantité de haut-parleurs pouvant être reliés à l'amplificateur

Section 100V : spécifiquement conçue pour une distribution multiple. Si vous utilisez la sortie 100W, les haut-parleurs doivent être équipés d'un transformateur 100V. La quantité maximale de haut-parleurs à intégrer dans le système est fonction de la

puissance délivrée par chaque haut-parleur. La puissance totale réglée sur le côté secondaire des transformateurs de la ligne de haut-parleurs ne doit pas dépasser la puissance de sortie RMS maximale. Un non-respect de ces données pourrait endommager durablement l'amplificateur.

ETAPES DE FONCTIONNEMENT

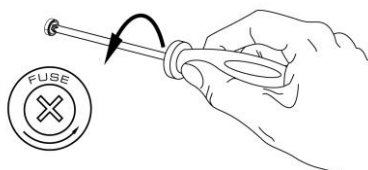
- Lorsque toutes les connexions à l'amplificateur sont effectuées, tournez les boutons de réglage vers le minimum et allumez l'amplificateur, la LED "ON" brille. Tournez les réglages BASS et TREBLE vers la position 12h (vers le haut) et tournez le réglage MASTER pour tester.
- Assurez-vous qu'un signal est bien présent aux entrées ligne et augmentez graduellement le niveau de volume pour ce canal jusqu'à ce que la sortie soit bien audible via les haut-parleurs. Tournez le réglage MASTER sur le niveau de volume maximal nécessaire et diminuez le niveau de volume du canal si besoin.
- Remarque : le test initial peut être effectué en utilisant le lecteur audio USB/SD intégré. La sortie de l'amplificateur est représentée sur le VU-mètre ; veillez à ce que la LED rouge "0" ne brille que momentanément pendant le fonctionnement. Si elle brille plus longtemps, cela indique qu'il y a une distorsion ou un écrêtage du signal de sortie : tournez alors le réglage MASTER pour diminuer le niveau.
- Si un microphone est relié à l'entrée MIC1, assurez-vous qu'il est bien allumé et s'il nécessite une alimentation fantôme, prêtez y attention. Augmentez petit à petit le volume en parlant dans le microphone jusqu'à obtenir le niveau de volume souhaité. Le microphone ne doit pas entendre les haut-parleurs pour éviter tout effet de larsen.

En plus des réglages de canaux et de volume MASTER, l'appareil dispose de réglages BASS et TREBLE EQ pour régler la tonalité de la sortie générale. Sur la position 12h, ces réglages n'influent pas sur le signal. Si vous déplacez le réglage BASS dans le sens des aiguilles d'une montre, les fréquences graves augmentent ; si vous le tournez vers la gauche, il réduit les fréquences graves. De la même manière, si vous tournez le réglage TREBLE vers la droite, vous augmentez les fréquences aigües dans l'audio, si vous le tournez vers la gauche, vous diminuez ces fréquences. Réglez les égaliseurs pour correspondre au type de signal audio ou pour compenser l'acoustique de la pièce.

REPLACEMENT DU FUSIBLE

Si le fusible est défectueux, il faut le remplacer par un fusible de même type et de même valeur. Avant de le remplacer, veillez à débrancher l'appareil.

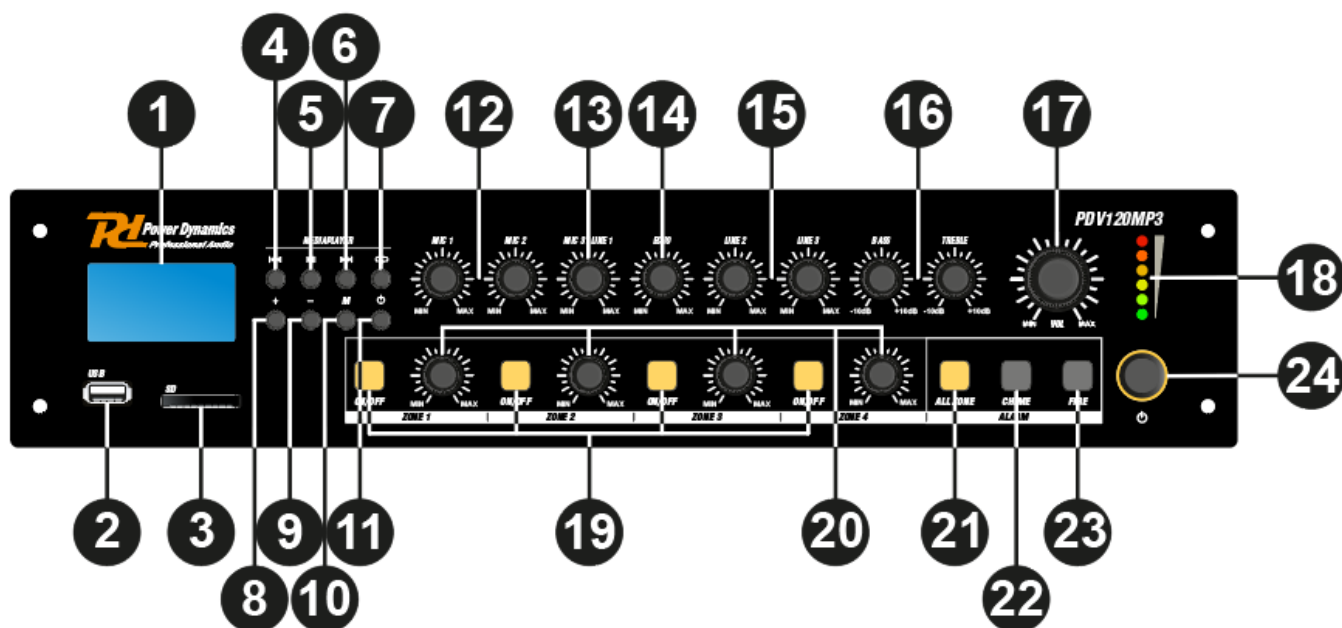
Procédure:



- Etape 1: Ouvrez le porte-fusible sur le panneau arrière avec un petit tournevis.
 Etape 2: Retirez l'ancien fusible.
 Etape 3: Placez le nouveau fusible dans le porte-fusible.
 Etape 4: Remettez le porte-fusible dans le boîtier.

REGLAGES ET BRANCHEMENTS

Face Avant:



- 1. AFFICHAGE LCD**
Affichage des modes de fonctionnement et du statut actuel.
- 2. PORT USB**
Port pour brancher un support de stockage USB. Les morceaux présents sur le support sont lus par le lecteur et démarrent automatiquement lorsque le support est inséré.

3. INSERT CARTE MEMOIRE SD / MMC

Insert pour des cartes mémoires SD/MMC. Les morceaux présents sur le support sont lus par le lecteur et démarrent automatiquement lorsque le support est inséré.

4. TOUCHE SKIP I<<

Voie précédente en mode USB, SD/MMC ou BT. Station précédente si l'appareil est en mode Tuner.

5. TOUCHE PLAY / PAUSE

A chaque pression sur la touche PLAY/PAUSE, l'appareil passe du mode lecture au mode pause et du mode pause au mode lecture.

6. TOUCHE SKIP >>I

Voie suivante en mode USB, SD/MMC ou BT. Station suivante si l'appareil est en mode Tuner.

7. TOUCHE REPEAT

Pour activer la fonction Répétition : répétition d'une voie, du dossier complet, répétition de toutes les voies et fonction désactivée.

8. TOUCHE +

Pour augmenter le volume du lecteur.

9. TOUCHE -

Pour diminuer le volume du lecteur.

10. TOUCHE M

Pour commuter le mode de fonctionnement entre USB, SD/MMC, BT et Tuner.

11. TOUCHE POWER ON / OFF

Enfoncée : pour allumer le lecteur.

Enfoncée et maintenue : pour éteindre le lecteur.

12. REGLAGE VOLUME MICROPHONE 1 & 2

Pour augmenter et diminuer le volume de l'entrée micro 1 et 2.

13. REGLAGE VOLUME MICROPHONE 3 & LINE 1

Pour augmenter et diminuer le volume de l'entrée micro 3 ou ligne 1.

14. REGLAGE ECHO MICROPHONE

Pour régler le niveau d'écho des canaux micro.

15. REGLAGE VOLUME LINE 2 & 3

Pour augmenter et diminuer le volume de l'entrée ligne 2 & 3.

16. REGLAGE TONALITE

Boutons de réglage des graves et aigus ; en tournant vers la droite, le niveau est augmenté, vers la gauche, le niveau est diminué. En position centrale, les deux réglages sont neutres.

17. REGLAGE VOLUME MASTER

Réglage du volume général entre niveau minimal et niveau maximal.

18. VU-METRE A LEDS

Bargraphe 6 LEDs ; indique le niveau actuel dans la plage -18 dB et 0 dB, la LED supérieure rouge s'affiche en cas d'écrêtage.

19. INTERRUPTEURS SORTIE ZONE 1-4

Les différentes lignes (1-4) de haut-parleurs reliés peuvent être activées ou désactivées avec les interrupteurs correspondants. Si une zone (1-4) est activée, l'interrupteur correspondant s'allume en vert. Lorsque l'interrupteur "All" est activé, toutes les sorties de zones (1-4) sont activées.

20. REGLAGE NIVEAU SORTIE ZONE 1-4

Le niveau de sortie des zones (1-4) peut être réglé avec les interrupteurs correspondants.

21. INTERRUPTEUR TOUTES ZONES

Lorsque l'interrupteur "All" est activé, toutes les sorties de zones (1-4) sont activées.

22. INTERRUPTEUR CHIME

Lorsque l'interrupteur CHIME est enfoncé, le gong sélectionné pour signaler une annonce retentit une fois.

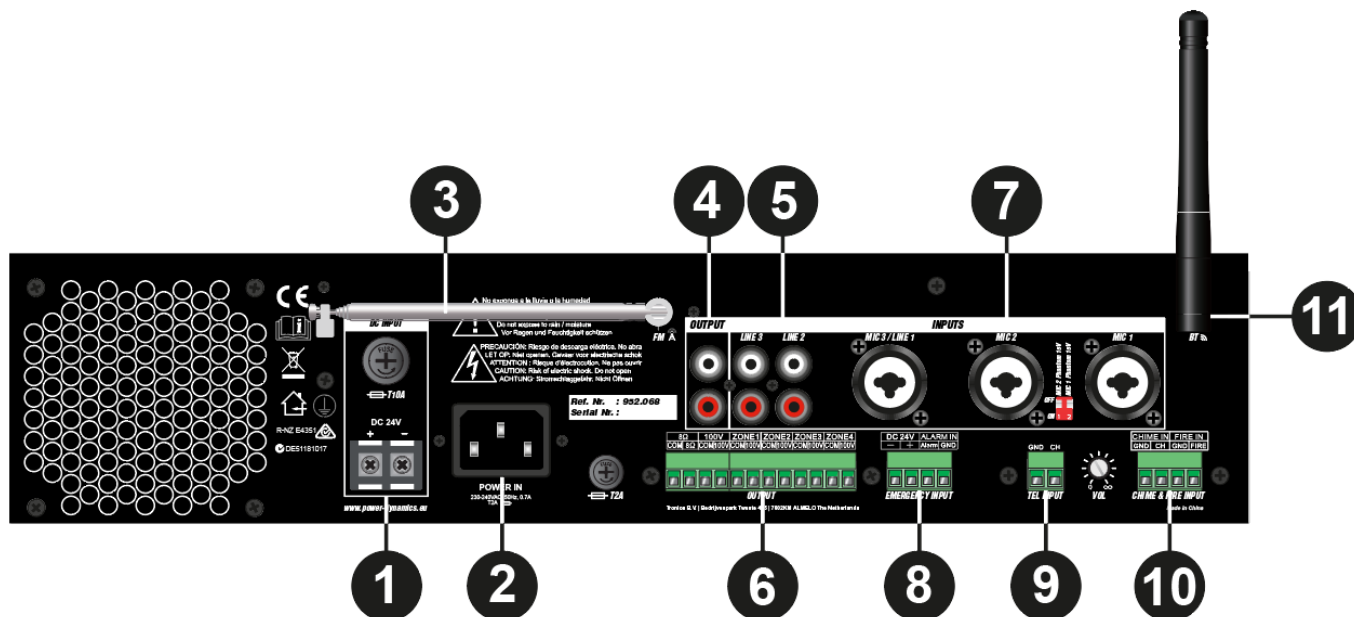
23. INTERRUPTEUR FIRE

Lorsque l'interrupteur est enfoncé, l'alarme incendie passe à travers la boucle jusqu'à ce que l'interrupteur d'incendie soit enfoncé à nouveau.

24. INTERRUPTEUR POWER ON / OFF

Pour allumer l'appareil et pour l'éteindre. L'interrupteur brille en vert lorsque vous allumez l'appareil. Le buzzer interne retentit trois fois et le relais de protection de sortie s'active (un clic est alors audible), l'appareil est alors prêt.

Face Arrière:



1. PRISE SECTEUR DC

Prise d'alimentation DV (24 V) pour brancher une batterie standard 24 V. Un porte-fusible pour le fusible principal est situé sur le haut de la prise (voir point "Remplacement du fusible" pour les instructions de remplacement du fusible).

2. PRISE SECTEUR AC

Prise d'alimentation AC 230~240V AC / 50~60 Hz) . Un porte-fusible pour le fusible principal est situé sur le haut de la prise AC (voir point "Remplacement du fusible" pour les instructions de remplacement du fusible).

3. ANTENNE FM

Pour pouvoir utiliser la fonction radio FM, dépliez l'antenne pour une réception FM optimale.

4. SORTIES (RCA)

Prises pour agrandir l'installation en ajoutant un second amplificateur. Reliez l'entrée LINE2 ou LINE3 du second amplificateur à cette prise "OUT".

5. ENTREES LIGNE 2 & 3 ASYMETRIQUES (RCA)

Prises d'entrée ligne 2 & 3 , RCA ; peut être transformée en entrée ligne stéréo en branchant la droite au rouge et la gauche au blanc.

6. BRANCHEMENTS SORTIES (BORNIER)

Prises de sortie pour les systèmes audio à la fois basse impédance et tension constante. Le haut-parleur basse impédance et la sortie tension constante 100 V partagent un bornier à 4 broches, deux à gauche peuvent être utilisés pour connecter les haut-parleurs basse impédance, les deux à droite pour les haut-parleurs haute impédance (tension constante 100 V). Pour les sorties de zone (1-4), un connecteur à 8 broches.

7. ENTREES MIC 3 / LINE1, MIC 2 & MIC 1

Ces canaux utilisent des connecteurs combo, à la fois connecteurs XLR et connecteurs jack 6,35. Les deux configurations coupent le son de tous les autres canaux lorsqu'un signal est présent sur les microphones/entrées reliés. L'entrée micro 1 et 2 peut être utilisée pour microphones capacitifs. Les interrupteurs d'alimentation fantôme permettent une alimentation fantôme 15 V si un microphone capacitif est connecté. L'interrupteur 2 alimente l'entrée micro 1 en alimentation fantôme, tandis que le commutateur 1 alimente l'entrée micro 2 en alimentation fantôme.

8. ENTREE EMERGENCY

L'amplificateur peut être connecté à n'importe quelle sortie d'amplificateur à tension constante de 100 V avec une télécommande 24 V utilisée comme entrée de secours. Lorsque le signal DC 24V est présent, l'amplificateur commute sur tous les haut-parleurs connectés (sortie tension constante) pour envoyer le signal d'urgence.

9. ENTREE TEL

L'amplificateur peut être connecté à n'importe quel système de télécommunication à l'aide de l'entrée TEL, ce qui permet de faire des annonces à partir d'un combiné. C'est une entrée niveau ligne avec priorité. Les branchements d'entrée asymétriques doivent être faits aux bornes 'CH' (Hot ou Signal) et 'GND' (Ground).

10. ENTREES CHIME & FIRE

Les entrées Gong et Incendie permettent de connecter n'importe quelle source externe telle qu'un poste d'appel, une matrice de signaux ou un système d'alarme incendie. Ces entrées sont prioritaires sur les autres entrées.

11. ANTENNE BT

Si vous branchez ou utilisez la technologie BT, assurez-vous de régler l'antenne BT en position verticale pour assurer le meilleur signal sans fil possible.

POLSKI

Gratulujemy zakupu urządzenia marki Fenton. Proszę o przeczytanie instrukcji przed użyciem urządzenia, aby jak najlepiej móc wykorzystać jego możliwości.

Przeczytaj tę instrukcję przed pierwszym użyciem urządzenia. Postępuj zgodnie z instrukcją, aby nie utracić gwarancji. Zwróć uwagę na wszystkie ostrzeżenia, aby uniknąć pożaru lub/ oraz porażenia prądem. Naprawy mogą być przeprowadzane jedynie przez autoryzowany serwis. Zatrzymaj tę instrukcję na wypadek potrzeby w przyszłości.

- Przed użyciem skonsultuj się ze specjalistą. Podczas pierwszego użycia urządzenie może wydzielić specyficzny zapach. To zupełnie normalne, zniknie po chwili.
- Urządzenie posiada podzespoły przewodzące prąd. Nie otwieraj obudowy urządzenia.
- Nie umieszczaj metalowych obiektów ani płynów w urządzeniu. Może to spowodować porażenie prądem lub uszkodzenie sprzętu.
- Nie umieszczaj w pobliżu takich źródeł ciepła jak grzejniki itd. Nie umieszczaj urządzenia na wibrującej powierzchni. Nie zasłaniaj kanałów wentylacyjnych.
- Urządzenie nie jest przeznaczone do ciągłej pracy.
- Pamiętaj, aby nie uszkodzić przewodu zasilającego. Uszkodzony przewód zasilający może spowodować porażenie prądem lub uszkodzenie sprzętu.
- Podczas wyjmowania wtyczki z gniazdka zawsze ciągnij za wtyczkę, nie za kabel.
- Nie wtykaj kabla mając mokre dłonie.
- Jeśli wtyczka lub/ oraz kabel zasilający jest uszkodzony, musi być wymieniony przez wykwalifikowaną osobę.
- Jeśli urządzenie jest uszkodzone na tyle, że widoczne są części wewnętrzne, nie podłączaj sprzętu do gniazdka, ani go nie uruchamiaj. Skontaktuj się z dystrybutorem.
- Aby uniknąć porażenia prądem, nie wystawiaj urządzenia na działanie warunków atmosferycznych ani na wilgoć.
- Sprzęt może być naprawiany tylko w autoryzowanym serwisie.
- Podłączaj urządzenie do uziemionego źródła zasilania (220-240Vac/50Hz) z bezpiecznikiem 10-16A.
- Podczas burzy lub w sytuacjach, gdy urządzenie nie jest używane przez dłuższy czas, odłącz je od gniazdka. Zasada brzmi: odłącz sprzęt od gniazdka, gdy go nie używasz.
- Jeśli urządzenie nie było używane przez dłuższy czas, może wystąpić kondensacja. Pozwól na to, aby sprzęt osiągnął temperaturę pokojową. Nigdy nie używaj w wilgotnych pomieszczeniach, bądź na zewnątrz.
- Podczas użytkowania znacznie wzrasta temperatura obudowy. Nie dotykaj jej w czasie pracy, bądź natychmiast po wyłączeniu urządzenia.
- Aby uniknąć wypadków w pracy, wykonuj polecenia zawarte w tej instrukcji.
- Urządzenie posiada diody LED wysokiej mocy. Nie patrz bezpośrednio na diody, aby nie uszkodzić wzroku.
- Nie włączaj i wyłączaj urządzenia co chwilę. Skraca to jego żywotność.
- Trzymaj z dala od dzieci. Nie zostawiaj sprzętu bez opieki.
- Nie używaj spray'ów do czyszczenia przełączników. To powoduje osiadanie się kurzu oraz tłuszczu. W przypadku usterki zasięgnij rady u specjalisty. Obsługuj urządzenie mając czyste ręce.
- Nie naciskaj przycisków z zbyt dużą siłą.
- Jeśli urządzenie upadnie, przed kolejnym włączeniem zawsze musi być sprawdzone przez wykwalifikowanego technika.
- Nie używaj chemikaliów do czyszczenia obudowy. Niszczą one lakier. Dokonuj czyszczenia za pomocą suchej szmatki.
- Trzymaj z dala od innej elektroniki, która może spowodować zakłócenia.
- Podczas serwisu używaj tylko oryginalnych części. W innym przypadku może nastąpić poważne uszkodzenie sprzętu, lub niebezpieczne promieniowanie.
- Wyłącz urządzenie przed wyciągnięciem kabla zasilającego. Odłącz wszystkie kable przed przenoszeniem sprzętu.
- Upewnij się, że nikt nie uszkodzi kabla zasilającego. Sprawdź przed każdym użyciem, czy kabel zasilający nie nosi znamion uszkodzenia.
- Urządzenie może pracować przy napięciu 220-240Vac/50Hz. Jeśli podróżujesz ze sprzętem, sprawdź, czy możesz je bezpiecznie podłączyć do prądu.
- Zachowaj oryginalny karton, aby móc transportować urządzenie w bezpiecznych warunkach.



Ten znak zwraca uwagę użytkownika na wysokie napięcie, które jest obecne w środku obudowy urządzenia. Napięcie jest wystarczające, aby porazić użytkownika.



Ten znak zwraca uwagę użytkownika do ważnych informacji, które znajdują się w instrukcji. Informacje te powinny być przeczytane oraz uwzględnione w codziennym użytkowaniu.

Urządzenie posiada certyfikat CE. **Nie wolno** wprowadzać żadnych zmian w urządzeniu. Każda modyfikacja sprzętu spowoduje utratę certyfikatu CE oraz gwarancji!

UWAGA: Urządzenie może funkcjonować w pomieszczeniach o temperaturze pomiędzy 5°C/41°F oraz 35°C/95°F.



WAŻNA INFORMACJA: Urządzenia elektryczne muszą być składowane w miejscach do tego przeznaczonych. Sprawdź, gdzie w Twojej okolicy znajduje się najbliższe centrum recyklingu. Specyfikacja techniczna poszczególnych urządzeń może się nieznacznie różnić. Specyfikacja może ulec zmian bez powiadomień.

Nie próbuj dokonywać żadnych napraw samodzielnie, to spowoduje unieważnienie gwarancji. Gwarancja nie dotyczy uszkodzeń spowodowanych niewłaściwym użytkowaniem sprzętu, niezgodnie z instrukcją. Fenton nie jest odpowiedzialny za uszczerbek na zdrowiu oraz kontuzje spowodowane niestosowaniem się do zaleceń bezpieczeństwa. Dotyczy to wszelakich uszkodzeń.

INSTRUKCJA ROZPAKOWYWANIA

OSTRZEŻENIE! Natychmiast po odbiorze urządzenia, ostrożnie otwórz karton ochronny, oraz sprawdź zawartość i stan techniczny przedmiotu. Niezwłocznie powiadom kuriera oraz zachowaj opakowanie zewnętrzne do kontroli, jeśli jakkolwiek element zawartości wygląda na zniszczony w transporcie lub nosi objawy złego traktowania paczki. W takim wypadku należy niezwłocznie odesłać sprzęt do producenta. Sprzęt należy wysłać w oryginalnym opakowaniu.

Jeśli urządzenie było wystawione na działanie niskich temperatur (np. podczas transportu), nie uruchamiaj go od razu. Powstałe zjawisko kondensacji wody może uszkodzić urządzenie. Pozostaw urządzenie wyłączone, dopóki nie osiągnie temperatury pokojowej.

ZASILANIE

Na naklejce z tyłu urządzenia znajduje się oznaczenie dotyczące rodzaju zasilania. Sprawdź, czy napięcie w gniazdku zgadza się z wymaganym przez producenta. Złe napięcie może spowodować nienaprawialne uszkodzenie urządzenia.



Zawsze podłączaj urządzenie do zabezpieczonego obwodu elektrycznego (za pomocą bezpiecznika lub wyłącznika instalacyjnego). Upewnij się, że urządzenie jest uziemione, aby uniknąć pożaru lub śmiertelnego porażenia prądem.

SYSTEM RADIOWĘZŁOWY 100V

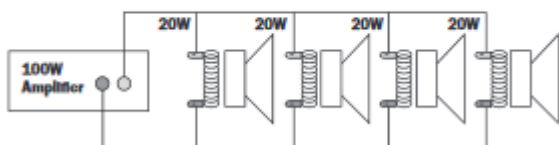
Dla systemów radiowęzłowych 100V, należy podłączyć pierwszy głośnik do wzmacniacza przy użyciu kabla z podwójną izolacją oraz możliwością utrzymania odpowiedniej mocy wychodzącej ze wzmacniacza.

Podłącz wyjście 100V na wzmacniaczu z plusem (+) na głośniku oraz wyjście COM z minusem (-). Podłącz kolejne głośniki równolegle - tak, aby (+) były złączone ze sobą, oraz (-) były złączone ze sobą. W razie problemów z poprawnym podłączeniem, spójrz na poniższy obrazek.

Przykład

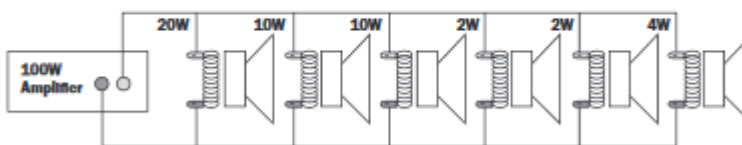
Standard 100V line

4 x 20W - 80W load



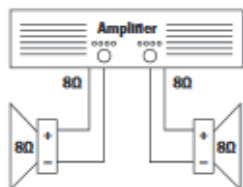
Multi-tap 100V line

20 + 10 + 10 + 2 + 2 + 4 = 48W load

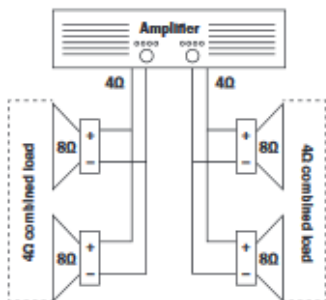


8Ω examples:

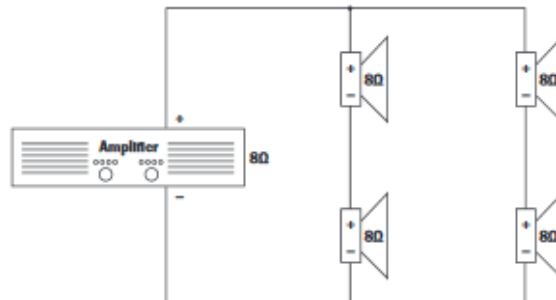
Standard 2 loudspeaker setup



Parallel 4 loudspeaker setup



Series parallel 4 loudspeaker mono setup



System 100V może obsłużyć wiele głośników połączonych ze sobą jednocześnie. To, ile głośników można podłączyć jednocześnie determinuje moc wyjściowa wzmacniacza. W większości zastosowań uznaje się, że należy podłączać tyle głośników, aby ich sumaryczna moc nie przekraczała 90% mocy wyjściowej wzmacniacza.

Złącza 100V na głośniku są połączone z transformatorem. W niektórych przypadkach transformator umożliwia wybór mocy, z jaką pracuje głośnik (np. 2, 4 lub 8W). Ułatwia to osiągnięcie odpowiedniej mocy lub dogodny wybór liczby głośników.

GNIAZDA GŁOŚNIKOWE

Złącza oferują możliwość użycia wyjść głośnikowych niskonapięciowych 8Ω. Dostępne są także wyjścia komercyjne 100V. Zwróć uwagę na to, że jeden przewód powinien być podłączony do złącza COM, a drugi do wybranej impedancji lub napięcia (100V).

UWAGA: Nie można mieszać kombinacji używania wyjść głośnikowych!

Do dyspozycji mamy 2 różne typy połączeń. Sekcja niskiej impedancji: 8Ω, są dedykowane niewielkiej liczbie głośników podłączonych do wzmacniacza. Połączenia 100V są przeznaczone do użycia większej liczby głośników. Aby móc pracować w trybie 70/100V, głośnik musi być wyposażony w specjalny transformator. Maksymalna liczba głośników podłączonych do wzmacniacza jest uzależniona od ich mocy. Moc sumaryczna głośników nie może przekraczać maksymalnej mocy RMS. W innym przypadku można spowodować trwałe uszkodzenie wzmacniacza!

UŻYTKOWANIE WZMACNIACZA

- Po podłączeniu wszystkich głośników, przekręć wszystkie pokręta do pozycji 0, a następnie włącz wzmacniacz. Zapali się dioda informująca o zasilaniu. Przekręć pokrętła BASS oraz TREBLE do pozycji "godzina 12" oraz zwiększ odrobinę głośność za pomocą pokrętła MASTER.
 - Upewnij się, że sygnał audio jest podłączony do jednego z wejść liniowych oraz zwiększaj stopniowo głośność na danym wejściu, aż usłyszysz dźwięk w głośnikach. Zwiększ głośność MASTER do maksymalnego wymaganego poziomu, a ewentualnej korekcji głośności dokonuj za pomocą pokręteł danych wejść.
 - Informacja: Początkowy test może być wykonany przy użyciu wbudowanego odtwarzacza MP3. Moc wyjściowa wzmacniacza jest wyświetlana za pomocą wskaźnika LED i trzeba zwracać uwagę, aby dioda "0" zapalała się tylko momentami. Świecenie tej diody dłuższe niż przez ułamek sekundy może wskazywać na zniekształcenia lub przesterowanie sygnału. W takim przypadku należy zmniejszyć głośność pokrętłem MASTER.
 - Jeśli mikrofon jest podłączony do wejścia MIC1, upewnij się, że jest włączony. Jeśli jego działanie wymaga zasilania phantom – sprawdź, czy ta funkcja jest uruchomiona. Stopniowo zwiększaj głośność mikrofonu, mówiąc jednocześnie do niego. Mikrofon nie powinien "słyszeć głośników", ponieważ może to spowodować sprzężenie się (nieprzyjemne piski).
- Poza pokrętłami głośności kanału i MASTER, masz do dyspozycji regulacje tonów niskich i wysokich. Pokrętła ustawione w pozycji "godzina 12" nie wpływają w żaden sposób na brzmienie sygnału wyjściowego. Przekręcenie pokrętła BASS w prawo podbije niskie częstotliwości, natomiast przekręcenie w lewo zmniejszy ich ilość. Sytuacja jest analogiczna w przypadku pokrętła regulacji tonów wysokich. Użyj tych pokręteł, aby dopasować dźwięk do warunków akustycznych.

WYMIANA BEZPIECZNIKA

Jeśli bezpiecznik jest niesprawny, wymień go na nowy egzemplarz tego samego typu i wartości. Przed wymianą bezpiecznika wyciągnij kabel zasilający z gniazda.

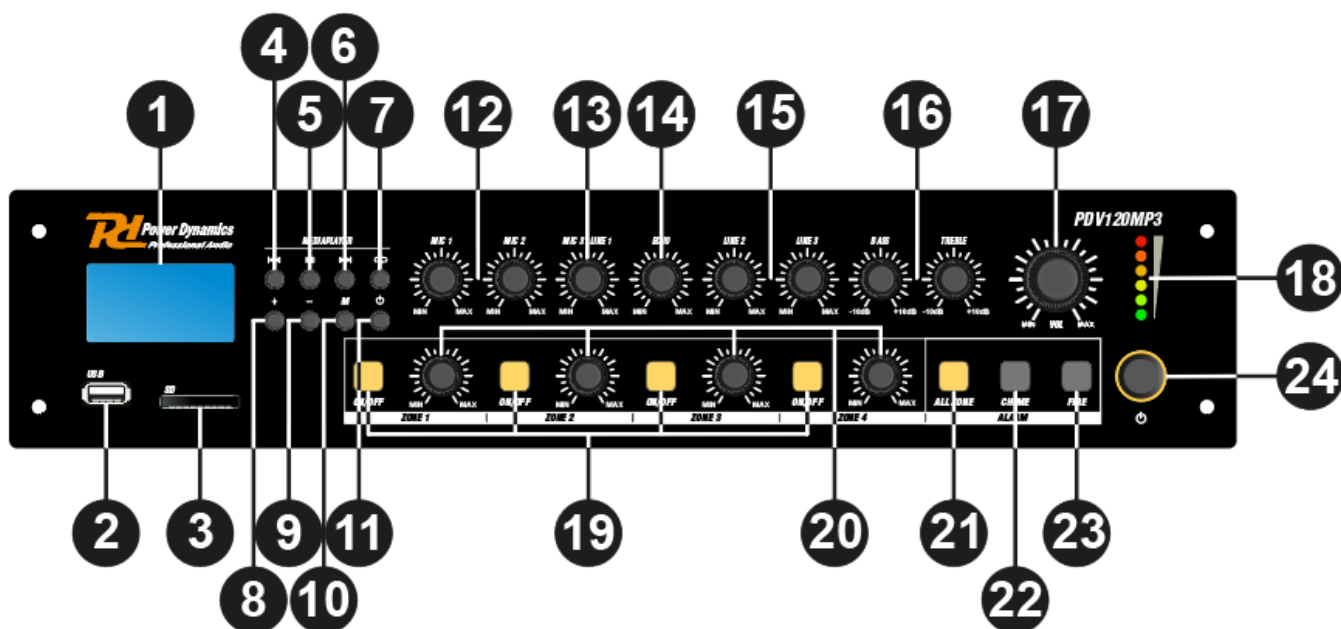
Instrukcja:



- Krok 1: Otwórz śrubokrętem zasłonkę bezpiecznika na tylnym panelu.
- Krok 2: Wyciągnij bezpiecznik.
- Krok 3: Włóż nowy bezpiecznik w obudowę.
- Krok 4: Zasłoń obudowę bezpiecznika oryginalnym plastikiem.

STEROWANIE I POLACZENIA

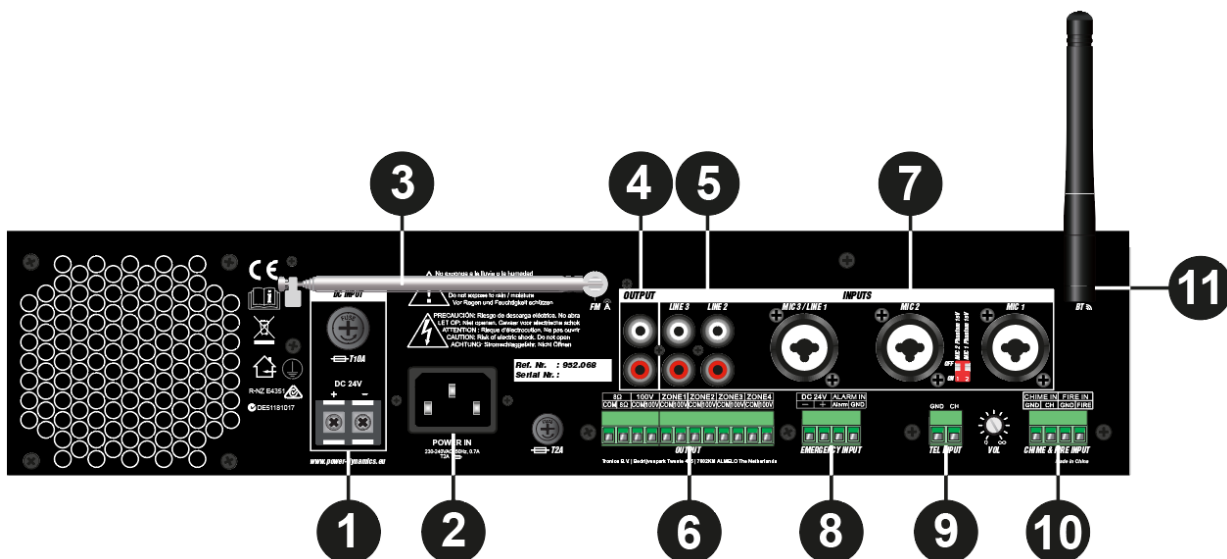
Opis Przedniego Panelu:



- 1. WYŚWIETLACZ LCD**
Wyświetla tryby i aktualny status pracy.
- 2. PORT USB**
Można tu umieścić urządzenie masowej pamięci USB. Utwory zapisane na urządzeniu można odtwarzać za pośrednictwem odtwarzacza. Odtwarzanie rozpoczyna się automatycznie po włożeniu urządzenia.
- 3. GNIAZDO KART PAMIĘCI SD / MMC**
Do tego gniazda można włożyć karty pamięci SD / MMC. Utwory zapisane na urządzeniach można odtwarzać za pośrednictwem odtwarzacza. Odtwarzanie rozpoczyna się automatycznie po włożeniu urządzenia.

- 4. PRZYCISK SKIP I<<**
Poprzedni utwór w trybach USB, SD / MMC lub BT. W trybie tunera: poprzednia zapamiętana stacja.
- 5. PRZYCISK PLAY / PAUSE**
Każde naciśnięcie przycisku PLAY / PAUSE powoduje zmianę trybu z odtwarzania na pauzę lub z pauzy na odtwarzanie.
- 6. PRZYCISK SKIP >>I**
W trybach USB, SD / MMC i BT: następny utwór. W trybie tunera: następna zapamiętana stacja.
- 7. PRZYCISK REPEAT**
Przełącza funkcję powtarzania między powtarzaniem jednej ścieżki, powtarzaniem całego folderu, powtarzaniem wszystkiego i wyłączeniem powtarzania.
- 8. + PRZYCISK**
Zwiększa głośność odtwarzacza.
- 9. - PRZYCISK**
Zmniejsza głośność odtwarzacza.
- 10. PRZYCISK M**
Przełącza tryb działania pomiędzy USB, SD / MMC, BT i tuner.
- 11. PRZYCISK WŁĄCZANIA / WYŁĄCZANIA POWER**
Naciśnięcie: włącza odtwarzacz.
Naciśnięcie i przytrzymanie: wyłącza odtwarzacz.
- 12. REGULACJA GŁOŚNOŚCI MIKROFONÓW 1 I 2**
Zwiększa lub zmniejsza głośność wejścia mikrofonowego 1 i 2.
- 13. REGULACJA GŁOŚNOŚCI MIKROFONU 3 I LINE 1**
Zwiększa lub zmniejsza głośność wejścia mikrofonowego 3 lub LINE 1.
- 14. KONTROLA ECHA DLA MIKROFONU**
Pozwala dostosować poziom echa na kanałach mikrofonu.
- 15. KONTROLA GŁOŚNOŚCI LINE 2 I 3**
Zwiększa lub zmniejsza głośność wejścia liniowego 2 i 3.
- 16. KONTROLA TONÓW**
Za pomocą pokręteł od tonów niskich i wysokich można regulować ogólną charakterystykę częstotliwości systemu. Obracając się zgodnie z ruchem wskazówek zegara, poziom zostanie zwiększony. Obrót przeciwny do ruchu wskazówek zegara spowoduje zmniejszenie poziomu. W pozycji środkowej obie są ustawione na poziom neutralny.
- 17. KONTROLA GŁOŚNOŚCI GŁÓWNEJ**
Przy użyciu głównego regulatora głośności, ogólna głośność systemu zostanie dostosowana w zakresie od minimalnego do maksymalnego.
- 18. WSKAŹNIKI LED (VU-METER)**
Bieżąca obsługa systemu jest pokazana na 6-cyfrowym wykresie słupkowym LED. Diody LED monitorują bieżący poziom wyjściowy w zakresie od -18 dB do 0 dB, a górna dioda LED (czerwona) świeci, gdy sygnał wyjściowy jest obcinany.
- 19. PRZEŁĄCZNIKI WYJŚĆ ZEWNĘTRZNYCH STREF 1-4**
Różne połączenia głośnikowe (1-4) można włączać i wyłączać, naciskając przełączniki z odpowiednimi numerami. Gdy włączona jest strefa (1-4), pokaże się pomarańczowe światło na odpowiednim przełączniku. Po naciśnięciu przycisku "Wszystkie" wszystkie wyjścia (1-4) zostaną włączone.
- 20. KONTROLA POZIOMU GŁOŚNOŚCI WYJŚĆ STREF 1-4**
Poziom wyjściowy dla stref (1-4) można regulować za pomocą przełączników pasmowych z odpowiednimi numerami.
- 21. PRZEŁĄCZNIKI WSZYSTKICH STREF**
Po naciśnięciu przycisku "Wszystkie" wszystkie wyjścia (1-4) zostaną włączone.
- 22. PRZEŁĄCZNIK CHIME**
Po naciśnięciu przycisku dzwonka wybrany dźwięk zostanie raz odtworzony jako wstępne powiadomienie do stronicowania.
- 23. PRZEŁĄCZNIK FIRE**
Po naciśnięciu przycisku ognia, alarm pożarowy przechodzi przez pętlę, aż do ponownego naciśnięcia przycisku ognia.
- 24. WŁĄCZNIK/WYŁĄCZNIK ZASILANIA**
Użyj tego przełącznika, aby włączyć urządzenie. Użyj przełącznika ponownie, aby wyłączyć urządzenie. Po włączeniu urządzenia zaświeci się pomarańczowa kontrolka wokół przycisku zasilania. Po włączeniu, brzęczyk wewnętrzny zadzwoni trzy razy, a następnie przekaźnik zabezpieczający wyjście zostanie włączony (usłyszysz kliknięcie, gdy to nastąpi), co oznacza, że wzmacniacz jest gotowy.

Opis Tylnego Panelu:



1. ZASILANIE DC

Główny zasilacz prądu stałego (24 V) musi być podłączony do tego złącza. Jest to wtyk zasilania w trybie gotowości, do którego można podłączyć akumulator 24 V. Uchwyt bezpiecznika z głównym bezpiecznikiem znajduje się na górze wejścia prądu stałego (instrukcje dotyczące wymiany bezpiecznika znajdują się w rozdziale "Wymiana bezpiecznika").

2. WLOT ZASILANIA AC

Główny zasilacz prądu zmiennego (230 ~ 240 V AC / 50 ~ 60 Hz) musi być wpięty do tego wejście prądu zmiennego. Uchwyt bezpiecznika

główny bezpiecznik znajduje się po prawej stronie gniazda zasilania prądem przemiennym (instrukcje dotyczące wymiany bezpiecznika można znaleźć w rozdziale "Wymiana bezpiecznika").

3. ANTENA FM

Aby korzystać z funkcji radia FM, należy wyciągnąć antenę, aby zapewnić najlepszy możliwy odbiór częstotliwości.

4. POŁĄCZENIA OUT (RCA)

Połączenia te można wykorzystać podczas rozbudowy systemu, dodając drugi wzmacniacz. Aby to zrobić, połącz wejście LINE2 lub LINE3 drugiego wzmacniacza za pomocą tego połączenia "OUT".

5. NIEZBALANSOWANE WEJŚCIA LINIOWE 2 I 3 (RCA)

Wejścia liniowe 2 i 3 wejścia RCA mogą zostać przekształcone w wejście liniowe stereo poprzez połączenie kanału z czerwonym, i lewego z białym.

6. POŁĄCZENIE WYJŚCIOWE (BLOK TERMINALNY)

Połączenia wyjściowe dla rozproszonych systemów audio o niskiej impedancji i stałym napięciu. Głośnik o niskiej impedancji i stałe wyjście o napięciu 100V współdzielą blok zacisków 4-PIN, dwa po lewej stronie można wykorzystać do podłączenia głośników o niskiej impedancji, dwa z prawej mogą być użyte do podłączenia głośników o wysokiej impedancji (napięcie stałe 100V). Wyjścia strefowe (1-4) są reprezentowane przez złącze 8-stykowe.

7. WEJŚCIA MIC3 / LINE1, MIC2 I MIC1

Kanały te wykorzystują złącza kombinowane, akceptując zarówno wtyki jack 6,3 mm jak i XLR. Gdy sygnał jest obecny na podłączonych mikrofonach / wejściach, obie formy wejść wyciszają wszystkie pozostałe kanały. Wejścia mikrofonowe 1 i 2 mogą być użyte do mikrofonów pojemnościowych. Przełączniki zasilania Phantom umożliwiają zasilanie Phantom napięcia 15 V, gdy podłączony jest mikrofon pojemnościowy. Przełącznik nr. 2 zasila zasilaniem phantom wejście mikrofonowe nr. 1, a przełącznik nr. 1 zasila zasilaniem phantom wejście mikrofonowe 2.

8. WEJŚCIE AWARYJNE

Wzmacniacz może być podłączony do dowolnego wyjściowego wzmacniacza stałego 100 V z pilotem DC 24 V używanym jako wejście awaryjne. Gdy DC 24V da sygnał, wzmacniacz przełączy się na wszystkie podłączone głośniki (wyjście stałego napięcia), aby wysłać sygnał awaryjny.

9. WEJŚCIE TEL

Wzmacniacz może być podłączony do dowolnego systemu telekomunikacyjnego za pomocą wejścia TEL, umożliwiając wysyłanie komunikatów przez słuchawkę. Jest to wejście liniowe z priorytetem. Niezrównoważone połączenia wyjściowe należy wprowadzać na zaciskach "CH" (Hot lub Signal) i "GND" (uziemiaenie).

10. WEJŚCIA CHIME I FIRE

Wejścia Chime i Fire pozwalają na podłączenie dowolnego zewnętrznego źródła, takiego jak stacje wywoławcze, system matrycowy lub system alarmu przeciwpożarowego. Wejścia te mają pierwszeństwo przed innymi wejściami.

11. ANTENA BT

Podczas łączenia z BT i korzystania z niego, upewnij się, że antena BT jest ustawiona w pozycji pionowej, aby zapewnić najlepszy możliwy sygnał bezprzewodowy.

TECHNICAL SPECIFICATION / TECHNISCHE SPECIFICATIE / TECHNISCHE DATEN / ESPECIFICACIONES TÉCNICAS / SPÉCIFICATIONS TECHNIQUES / SPECYFIKACJA TECHNICZNA

	PDV120MP3	PDV240MP3	PDV360MP3
Ref. nr:	952.068	952.071	952.073
Output power RMS	120 Watt	240 Watt	360 Watt
Playback option	BT, FM Radio , SD & USD		
Impedance	100 Volt / 8 Ohm		
Frequency response	50Hz – 19kHz		
Signal to noise ratio	>70dB		
Power supply	230-240VAC, 50Hz, 0.7A	230-240VAC, 50Hz, 1.1A	230-240VAC, 50Hz, 1.5A
Weight	9kg	11kg	13kg

The specifications are typical. The actual values can slightly change from one unit to the other. Specifications can be changed without prior notice.

The products referred to in this manual conform to the European Community Directives to which they are subject:

- Low Voltage (LVD) 2014/35/EU
- Electromagnetic Compatibility (EMC) 2014/30/EU
- Restriction of Hazardous Substances (RoHS) 2011/65/EU



Specifications and design are subject to change without prior notice.

www.tronios.com

Copyright © 2018 by Tronios The Netherlands